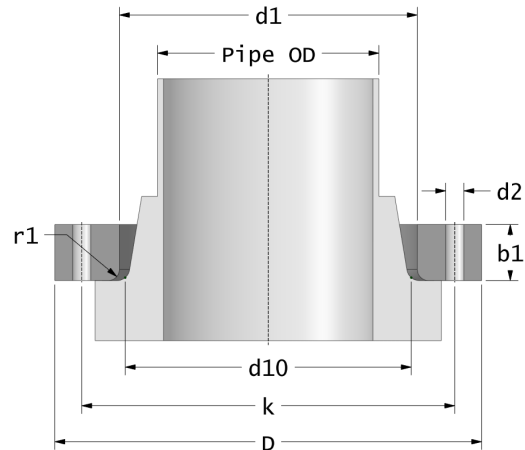


Overschuif Flenzen / Backing Ringen

Type BRPVC / passend op PVC kraagbus

Drilling Standard: EN1092 PN16



#	DN (mm)	Pmax (bar)	Pipe OD (mm)	D (mm)	d1 (mm)	d10 (mm)	r1 (mm)	k (mm)	Holes (no.)	d2 (mm)	b1 (mm)	Resin Type	Product Color	Article Number
1	10	16	15	98	23	22	3	60	4	14	15	Polyester	Grey	BRPVC-10-23-16/16
2	15	16	20	98	28	27	3	65	4	14	15	Polyester	Grey	BRPVC-15-28-16/16
3	20	16	25	116	34	33	3	75	4	14	15	Polyester	Grey	BRPVC-20-34-16/16
4	25	16	32	116	42	41	3	85	4	14	15	Polyester	Grey	BRPVC-25-42-16/16
5	32	16	40	140	51	50	3	100	4	18	16	Polyester	Grey	BRPVC-32-51-16/16
6	40	16	50	154	62	61	3	110	4	18	18	Polyester	Grey	BRPVC-40-62-16/16
7	50	16	63	164	78	76	3	125	4	18	18	Polyester	Grey	BRPVC-50-78-16/16
8	65	10	75	184	92	90	3	145	4	18	18	Polyester	Grey	BRPVC-65-92-10/16
9	65	16	75	184	92	90	3	145	4	18	22	Polyester	Grey	BRPVC-65-92-16/16
10	80	10	90	200	110	108	3	160	8	18	23	Polyester	Grey	BRPVC-80-110-10/16
11	80	16	90	200	110	108	3	160	8	18	28	Polyester	Grey	BRPVC-80-110-16/16
12	100	10	110	228	134	132	3	180	8	18	25	Polyester	Grey	BRPVC-100-134-10/16
13	100	16	110	228	134	132	3	180	8	18	30	Polyester	Grey	BRPVC-100-134-16/16
14	110	10	125	240	150	148	3	190	8	18	25	Polyester	Grey	BRPVC-110-150-10/16
15	110	16	125	240	150	148	3	190	8	18	30	Polyester	Grey	BRPVC-110-150-16/16
16	125	10	125	254	150	148	3	210	8	18	28	Polyester	Grey	BRPVC-125-150-10/16
17	125	10	140	254	167	165	3	210	8	18	28	Polyester	Grey	BRPVC-125-167-10/16
18	125	16	125	254	150	148	3	210	8	18	34	Polyester	Grey	BRPVC-125-150-16/16
19	125	16	140	254	167	165	3	210	8	18	34	Polyester	Grey	BRPVC-125-167-16/16
20	150	10	160	284	190	188	3	240	8	22	34	Polyester	Grey	BRPVC-150-190-10/16
21	150	16	160	284	190	188	3	240	8	22	40	Polyester	Grey	BRPVC-150-190-16/16

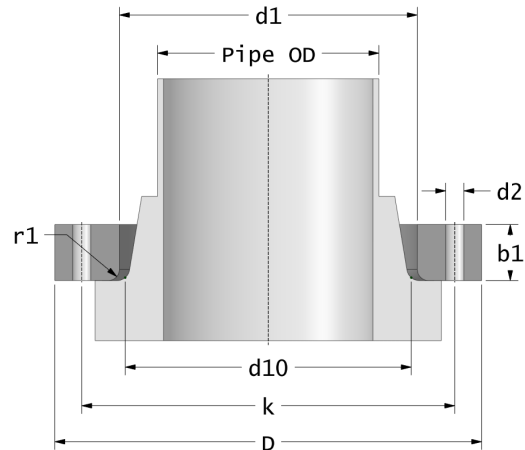
Disclaimer

Whilst every care is taken to ensure that the information on this website is complete and accurate, the Rotec Composite Group BV cannot accept responsibility for any omissions or inaccuracies or for any consequences arising therefrom. By using this website, the user accepts the terms of this disclaimer.

Overschuif Flenzen / Backing Ringen

Type BRPVC / passend op PVC kraagbus

Drilling Standard: EN1092 PN16



#	DN (mm)	Pmax (bar)	Pipe OD (mm)	D (mm)	d1 (mm)	d10 (mm)	r1 (mm)	k (mm)	Holes (no.)	d2 (mm)	b1 (mm)	Resin Type	Product Color	Article Number
22	200	10	200	342	226	224	3	295	12	22	38	Polyester	Grey	BRPVC-200-226-10/16
23	200	10	200	342	235	232	3	295	12	22	38	Polyester	Grey	BRPVC-200-235-10/16
24	200	10	225	342	252	248	3	295	12	22	38	Polyester	Grey	BRPVC-200-252-10/16
25	200	16	200	342	226	224	3	295	12	22	48	Polyester	Grey	BRPVC-200-226-16/16
26	200	16	200	342	235	232	3	295	12	22	48	Polyester	Grey	BRPVC-200-235-16/16
27	200	16	225	342	252	248	3	295	12	22	48	Polyester	Grey	BRPVC-200-252-16/16
28	225	10	250	370	277	273	3	355	12	26	42	Polyester	Grey	BRPVC-225-277-10/16
29	225	16	250	370	277	273	3	355	12	26	54	Polyester	Grey	BRPVC-225-277-16/16
30	250	10	250	405	277	273	3	355	12	26	42	Polyester	Grey	BRPVC-250-277-10/16
31	250	10	280	405	310	306	3	355	12	26	42	Polyester	Grey	BRPVC-250-310-10/16
32	250	16	250	405	277	273	3	355	12	26	54	Polyester	Grey	BRPVC-250-277-16/16
33	250	16	280	405	310	306	3	355	12	26	54	Polyester	Grey	BRPVC-250-310-16/16
34	300	10	315	458	350	347	3	410	12	26	48	Polyester	Grey	BRPVC-300-350-10/16
35	350	10	355	540	388	384	6	470	16	26	42	Vinylester	Grey	BRPVC-350-388-10/16
36	350	16	355	540	388	384	6	470	16	26	52	Vinylester	Grey	BRPVC-350-388-16/16
37	400	10	400	600	442	438	6	525	16	30	44	Vinylester	Grey	BRPVC-400-442-10/10
38	400	16	400	600	442	438	6	525	16	30	54	Vinylester	Grey	BRPVC-400-442-16/16

Disclaimer

Whilst every care is taken to ensure that the information on this website is complete and accurate, the Rotec Composite Group BV cannot accept responsibility for any omissions or inaccuracies or for any consequences arising therefrom. By using this website, the user accepts the terms of this disclaimer.