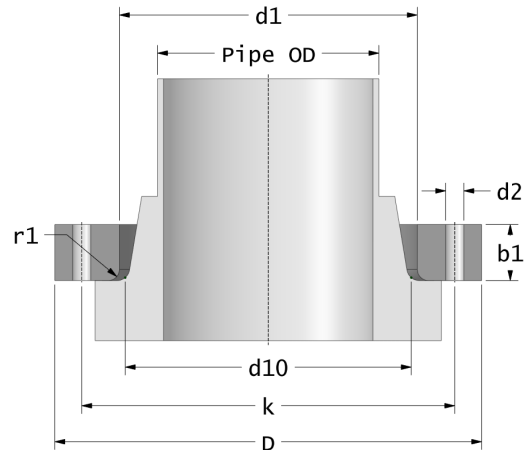


Overschuif Flenzen / Backing Ringen

Type BRPVC / passend op PVC kraagbus

Drilling Standard: ANSI B16.5 Class 150



#	DN (mm)	Pmax (bar)	Pipe OD (mm)	D (mm)	d1 (mm)	d10 (mm)	r1 (mm)	k (mm)	Holes (no.)	d2 (mm)	b1 (mm)	Resin Type	Product Color	Article Number
1	15	16	20	98	28	27	3	60	4	16	15	Polyester	Grey	BRPVC-15-28-16/150
2	20	16	25	98	34	33	3	70	4	16	15	Polyester	Grey	BRPVC-20-34-16/150
3	25	16	32	116	42	41	3	79	4	16	15	Polyester	Grey	BRPVC-25-42-16/150
4	32	16	40	116	51	50	3	89	4	16	16	Polyester	Grey	BRPVC-32-51-16/150
5	40	16	50	140	62	61	3	98	4	16	18	Polyester	Grey	BRPVC-40-62-16/150
6	50	16	63	154	78	76	3	121	4	19	18	Polyester	Grey	BRPVC-50-78-16/150
7	65	10	75	184	92	90	3	140	4	19	18	Polyester	Grey	BRPVC-65-92-10/150
8	65	16	75	184	92	90	3	140	4	19	22	Polyester	Grey	BRPVC-65-92-16/150
9	80	6	90	200	110	108	3	152	4	19	18	Polyester	Grey	BRPVC-80-110-06/150
10	80	10	90	200	110	108	3	152	4	19	23	Polyester	Grey	BRPVC-80-110-10/150
11	80	16	90	200	110	108	3	152	4	19	28	Polyester	Grey	BRPVC-80-110-16/150
12	100	6	125	228	134	132	3	190	8	19	20	Polyester	Grey	BRPVC-100-134-06/150
13	100	10	125	228	134	132	3	190	8	19	25	Polyester	Grey	BRPVC-100-134-10/150
14	100	16	125	228	134	132	3	190	8	19	30	Polyester	Grey	BRPVC-100-134-16/150
15	125	6	140	254	167	165	3	216	8	22	22	Polyester	Grey	BRPVC-125-167-06/150
16	125	10	140	254	167	165	3	216	8	22	28	Polyester	Grey	BRPVC-125-167-10/150
17	125	16	140	254	167	165	3	216	8	22	34	Polyester	Grey	BRPVC-125-167-16/150
18	150	6	180	284	190	188	3	241	8	22	25	Polyester	Grey	BRPVC-150-190-06/150
19	150	10	180	284	190	188	3	241	8	22	34	Polyester	Grey	BRPVC-150-190-10/150
20	150	16	180	284	190	188	3	241	8	22	40	Polyester	Grey	BRPVC-150-190-16/150
21	200	4	200	342	226	224	3	298	8	22	25	Polyester	Grey	BRPVC-200-226-04/150

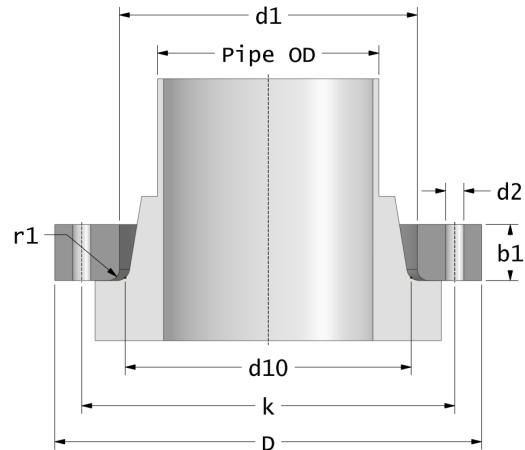
Disclaimer

Whilst every care is taken to ensure that the information on this website is complete and accurate, the Rotec Composite Group BV cannot accept responsibility for any omissions or inaccuracies or for any consequences arising therefrom. By using this website, the user accepts the terms of this disclaimer.

Overschuif Flenzen / Backing Ringen

Type BRPVC / passend op PVC kraagbus

Drilling Standard: ANSI B16.5 Class 150



#	DN (mm)	Pmax (bar)	Pipe OD (mm)	D (mm)	d1 (mm)	d10 (mm)	r1 (mm)	k (mm)	Holes (no.)	d2 (mm)	b1 (mm)	Resin Type	Product Color	Article Number
22	200	4	200	342	235	232	3	298	8	22	25	Polyester	Grey	BRPVC-200-235-04/150
23	200	4	225	342	252	247	3	298	8	22	25	Polyester	Grey	BRPVC-200-252-04/150
24	200	10	200	342	226	224	3	298	8	22	38	Polyester	Grey	BRPVC-200-226-10/150
25	200	10	200	342	235	248	3	298	8	22	38	Polyester	Grey	BRPVC-200-235-10/150
26	200	10	225	342	252	247	3	298	8	22	38	Polyester	Grey	BRPVC-200-252-10/150
27	200	16	200	342	226	232	3	298	8	22	48	Polyester	Grey	BRPVC-200-226-16/150
28	200	16	200	342	235	248	3	298	8	22	48	Polyester	Grey	BRPVC-200-235-16/150
29	200	16	225	342	252	247	3	298	8	22	48	Polyester	Grey	BRPVC-200-252-16/150
30	250	4	250	405	277	273	3	362	12	26	28	Polyester	Grey	BRPVC-250-277-04/150
31	250	4	280	405	310	306	3	362	12	26	28	Polyester	Grey	BRPVC-250-310-04/150
32	250	10	250	405	277	273	3	362	12	26	42	Polyester	Grey	BRPVC-250-277-10/150
33	250	10	280	405	310	306	3	362	12	26	42	Polyester	Grey	BRPVC-250-310-10/150
34	250	16	250	405	277	273	3	362	12	26	54	Polyester	Grey	BRPVC-250-277-16/150
35	250	16	280	405	310	306	3	362	12	26	54	Polyester	Grey	BRPVC-250-310-16/150
36	300	4	315	485	350	347	3	432	12	26	35	Polyester	Grey	BRPVC-300-350-04/150
37	300	10	315	485	350	347	3	432	12	26	52	Polyester	Grey	BRPVC-300-350-10/150
38	350	4	355	540	388	384	6	476	12	29	30	Vinylester	Grey	BRPVC-350-388-04/150
39	350	10	355	540	388	384	6	476	12	29	42	Vinylester	Grey	BRPVC-350-388-10/150
40	350	16	355	540	388	384	6	476	12	29	52	Vinylester	Grey	BRPVC-350-388-16/150
41	400	4	400	600	442	438	6	540	16	29	32	Vinylester	Grey	BRPVC-400-442-04/150
42	400	10	400	600	442	438	6	540	16	29	44	Vinylester	Grey	BRPVC-400-442-10/150

Disclaimer

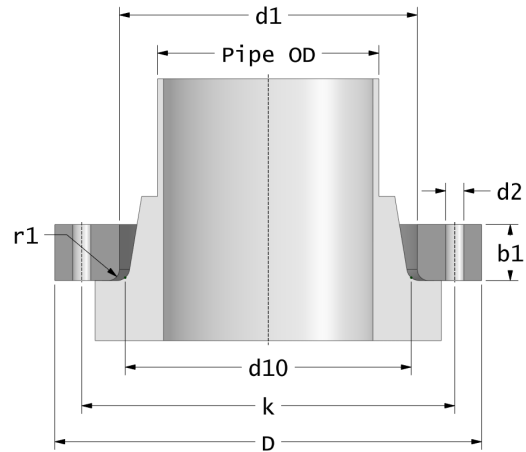
Whilst every care is taken to ensure that the information on this website is complete and accurate, the Rotec Composite Group BV cannot accept responsibility for any omissions or inaccuracies or for any consequences arising therefrom. By using this website, the user accepts the terms of this disclaimer.

04-03-2025

Overschuif Flenzen / Backing Ringen

Type BRPVC / passend op PVC kraagbus

Drilling Standard: ANSI B16.5 Class 150



#	DN (mm)	Pmax (bar)	Pipe OD (mm)	D (mm)	d1 (mm)	d10 (mm)	r1 (mm)	k (mm)	Holes (no.)	d2 (mm)	b1 (mm)	Resin Type	Product Color	Article Number
43	400	16	400	600	442	438	6	540	16	29	54	Vinylester	Grey	BRPVC-400-442-16/150

Disclaimer

Whilst every care is taken to ensure that the information on this website is complete and accurate, the Rotec Composite Group BV cannot accept responsibility for any omissions or inaccuracies or for any consequences arising therefrom. By using this website, the user accepts the terms of this disclaimer.