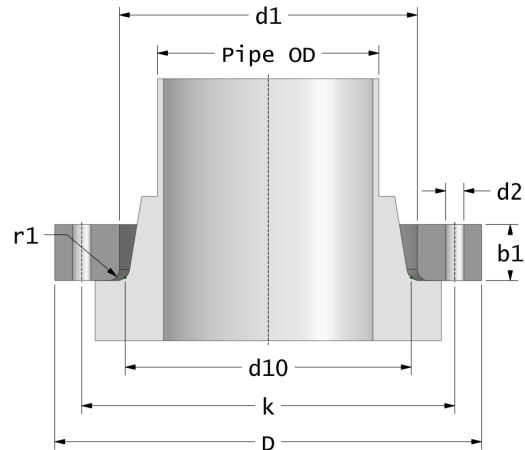


Rotec FRP Overschuif Flenzen

passend op PVC kraagbus

Drilling Standard: ANSI B16.5 Class 150



#	DN (mm)	Pmax (bar)	Pipe OD (mm)	D (mm)	d1 (mm)	d10 (mm)	r1 (mm)	k (mm)	Holes (no.)	d2 (mm)	b1 (mm)	Article Number
1	15	16	20	98	28	27	3	60	4	16	14	BRPVC-15-28-16/150
2	20	16	25	98	34	33	3	70	4	16	15	BRPVC-20-34-16/150
3	25	16	32	116	42	40	3	79	4	16	16	BRPVC-25-42-16/150
4	32	16	40	116	51	50	3	89	4	16	16	BRPVC-32-51-16/150
5	40	16	50	140	62	61	3	98	4	16	18	BRPVC-40-62-16/150
6	50	16	63	154	78	75	4	121	4	19	18	BRPVC-50-78-16/150
7	65	10	75	184	92	89	4	140	4	19	16	BRPVC-65-92-10/150
8	65	16	75	184	92	89	4	140	4	19	22	BRPVC-65-92-16/150
9	80	6	90	200	112	108	4	152	4	19	18	BRPVC-80-112-06/150
10	80	10	90	200	112	108	4	152	4	19	23	BRPVC-80-112-10/150
11	80	16	90	200	112	108	4	152	4	19	28	BRPVC-80-112-16/150
12	100	6	110	228	134	132	5	190	8	19	18	BRPVC-100-134-06/150
13	100	10	110	228	134	132	5	190	8	19	25	BRPVC-100-134-10/150
14	100	16	110	228	134	132	5	190	8	19	30	BRPVC-100-134-16/150
15	125	6	140	254	167	163	5	216	8	22	20	BRPVC-125-167-06/150
16	125	10	140	254	167	163	5	216	8	22	26	BRPVC-125-167-10/150

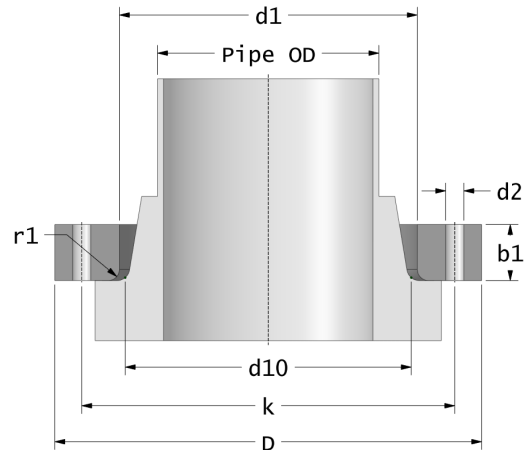
Disclaimer

Whilst every care is taken to ensure that the information on this website is complete and accurate, the Rotec Composite Group BV cannot accept responsibility for any omissions or inaccuracies or for any consequences arising therefrom. By using this website, the user accepts the terms of this disclaimer.

Rotec FRP Overschuif Flenzen

passend op PVC kraagbus

Drilling Standard: ANSI B16.5 Class 150



#	DN (mm)	Pmax (bar)	Pipe OD (mm)	D (mm)	d1 (mm)	d10 (mm)	r1 (mm)	k (mm)	Holes (no.)	d2 (mm)	b1 (mm)	Article Number
17	125	16	140	254	167	163	5	216	8	22	33	BRPVC-125-167-16/150
18	150	6	160	284	189	185	5	241	8	22	22	BRPVC-150-189-06/150
19	150	10	160	284	189	185	5	241	8	22	30	BRPVC-150-189-10/150
20	150	16	160	284	189	185	5	241	8	22	38	BRPVC-150-189-16/150
21	200	4	175	342	226	222	6	298	8	22	25	BRPVC-200-226-04/150
22	200	4	200	342	235	232	6	298	8	22	25	BRPVC-200-235-04/150
23	200	4	225	342	252	248	6	298	8	22	25	BRPVC-200-252-04/150
24	200	10	175	342	226	222	6	298	8	22	38	BRPVC-200-226-10/150
25	200	10	200	342	235	232	6	298	8	22	38	BRPVC-200-235-10/150
26	200	10	225	342	252	248	6	298	8	22	38	BRPVC-200-252-10/150
27	200	16	175	342	226	222	6	298	8	22	48	BRPVC-200-226-16/150
28	200	16	200	342	235	232	6	298	8	22	48	BRPVC-200-235-16/150
29	200	16	225	342	252	248	6	298	8	22	48	BRPVC-200-252-16/150
30	250	4	250	405	277	273	6	362	12	26	28	BRPVC-250-277-04/150
31	250	4	280	405	310	306	6	362	12	26	28	BRPVC-250-310-04/150
32	250	10	250	405	277	273	6	362	12	26	42	BRPVC-250-277-10/150
33	250	10	280	405	310	306	6	362	12	26	42	BRPVC-250-310-10/150

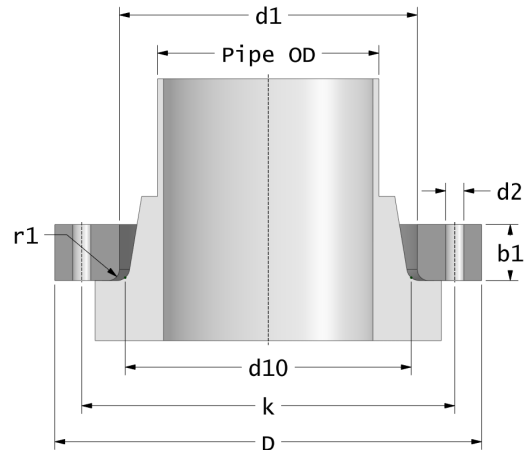
Disclaimer

Whilst every care is taken to ensure that the information on this website is complete and accurate, the Rotec Composite Group BV cannot accept responsibility for any omissions or inaccuracies or for any consequences arising therefrom. By using this website, the user accepts the terms of this disclaimer.

Rotec FRP Overschuif Flenzen

passend op PVC kraagbus

Drilling Standard: ANSI B16.5 Class 150



#	DN (mm)	Pmax (bar)	Pipe OD (mm)	D (mm)	d1 (mm)	d10 (mm)	r1 (mm)	k (mm)	Holes (no.)	d2 (mm)	b1 (mm)	Article Number
34	250	16	250	405	277	273	6	362	12	26	54	BRPVC-250-277-16/150
35	250	16	280	405	310	306	6	362	12	26	54	BRPVC-250-310-16/150
36	300	4	315	485	348	344	6	432	12	26	32	BRPVC-300-348-04/150
37	300	10	315	485	348	344	6	432	12	26	46	BRPVC-300-348-10/150
38	300	16	315	485	348	344	6	432	12	26	58	BRPVC-300-348-16/150
39	350	4	355	540	388	384	6	476	12	29	30	BRPVC-350-388-04/150
40	350	10	355	540	388	384	6	476	12	29	42	BRPVC-350-388-10/150
41	350	16	355	540	388	384	6	476	12	29	52	BRPVC-350-388-16/150
42	400	4	400	600	442	438	6	540	16	29	32	BRPVC-400-442-04/150
43	400	10	400	600	442	438	6	540	16	29	44	BRPVC-400-442-10/150
44	400	16	400	600	442	438	6	540	16	29	54	BRPVC-400-442-16/150

Disclaimer

Whilst every care is taken to ensure that the information on this website is complete and accurate, the Rotec Composite Group BV cannot accept responsibility for any omissions or inaccuracies or for any consequences arising therefrom. By using this website, the user accepts the terms of this disclaimer.