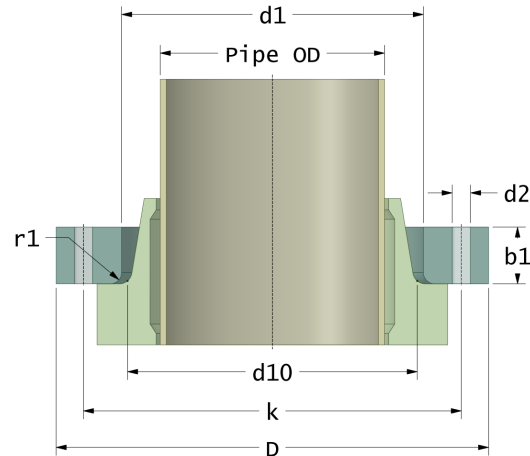


Rotec FRP Overschuif Flenzen

passend op PE & PP kraagbus

Drilling Standard: EN1092 PN16



#	DN (mm)	Pmax (bar)	Pipe OD (mm)	D (mm)	d1 (mm)	d10 (mm)	r1 (mm)	k (mm)	Holes (no.)	d2 (mm)	b1 (mm)	Article Number
1	100	10	90	228	108	105	4	180	8	18	25	BR-100-108-10/16
2	100	10	110	228	124	122	4	180	8	18	25	BR-100-124-10/16
3	100	10	110	228	128	125	4	180	8	18	25	BR-100-128-10/16
4	100	10	125	228	134	132	4	180	8	18	25	BR-100-134-10/16
5	100	16	90	228	108	105	4	180	8	18	30	BR-100-108-16/16
6	100	16	110	228	124	122	4	180	8	18	30	BR-100-124-16/16
7	100	16	110	228	128	125	4	180	8	18	30	BR-100-128-16/16
8	100	16	125	228	134	132	4	180	8	18	30	BR-100-134-16/16
9	125	10	110	254	124	122	5	210	8	18	28	BR-125-124-10/16
10	125	10	125	254	134	132	5	210	8	18	28	BR-125-134-10/16
11	125	10	140	254	158	155	5	210	8	18	28	BR-125-158-10/16
12	125	16	110	254	124	122	5	210	8	18	34	BR-125-124-16/16
13	125	16	125	254	134	132	5	210	8	18	34	BR-125-134-16/16
14	125	16	140	254	158	155	5	210	8	18	34	BR-125-158-16/16
15	150	10	140	284	158	155	5	240	8	22	30	BR-150-158-10/16
16	150	10	160	284	178	175	5	240	8	22	30	BR-150-178-10/16

Disclaimer

Whilst every care is taken to ensure that the information on this website is complete and accurate, the Rotec Composite Group BV cannot accept responsibility for any omissions or inaccuracies or for any consequences arising therefrom. By using this website, the user accepts the terms of this disclaimer.

23-08-2024

Rotec FRP Overschuif Flenzen

passend op PE & PP kraagbus

Drilling Standard: EN1092 PN16



#	DN (mm)	Pmax (bar)	Pipe OD (mm)	D (mm)	d1 (mm)	d10 (mm)	r1 (mm)	k (mm)	Holes (no.)	d2 (mm)	b1 (mm)	Article Number
17	150	10	180	285	188	185	5	240	8	22	30	BR-150-188-10/16
18	150	16	140	284	158	155	5	240	8	22	38	BR-150-158-16/16
19	150	16	160	284	178	175	5	240	8	22	38	BR-150-178-16/16
20	150	16	180	285	188	185	5	240	8	22	38	BR-150-188-16/16
21	200	10	200	350	235	232	5	295	12	22	32	BR-200-235-10/16
22	200	10	225	350	238	237	5	295	12	22	32	BR-200-238-10/16
23	200	16	200	350	235	232	5	295	12	22	40	BR-200-235-16/16
24	200	16	225	350	238	237	5	295	12	22	40	BR-200-238-16/16
25	250	10	250	405	288	285	5	355	12	26	35	BR-250-288-10/16
26	250	10	280	410	294	293	5	355	12	26	35	BR-250-294-10/16
27	250	16	250	405	288	285	5	355	12	26	45	BR-250-288-16/16
28	250	16	280	410	294	293	5	355	12	26	45	BR-250-294-16/16
29	300	10	315	460	338	335	5	410	12	26	39	BR-300-338-10/16
30	300	16	315	460	338	335	5	410	12	26	46	BR-300-338-16/16
31	350	10	355	540	358	355	6	470	16	26	42	BR-350-358-10/16
32	350	10	355	540	376	373	6	470	16	26	42	BR-350-376-10/16
33	350	16	355	540	358	355	6	470	16	26	52	BR-350-358-16/16

Disclaimer

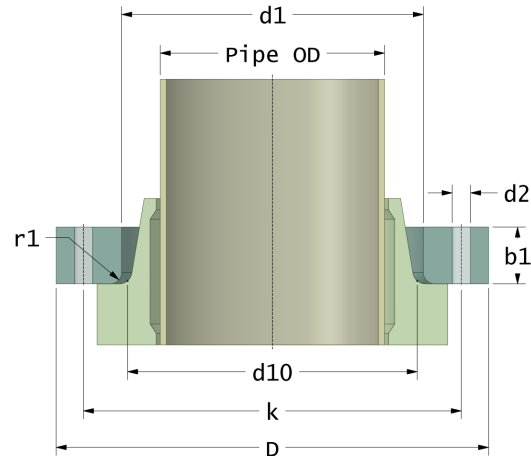
Whilst every care is taken to ensure that the information on this website is complete and accurate, the Rotec Composite Group BV cannot accept responsibility for any omissions or inaccuracies or for any consequences arising therefrom. By using this website, the user accepts the terms of this disclaimer.

23-08-2024

Rotec FRP Overschuif Flenzen

passend op PE & PP kraagbus

Drilling Standard: EN1092 PN16



#	DN (mm)	Pmax (bar)	Pipe OD (mm)	D (mm)	d1 (mm)	d10 (mm)	r1 (mm)	k (mm)	Holes (no.)	d2 (mm)	b1 (mm)	Article Number
34	350	16	355	540	376	373	6	470	16	26	52	BR-350-376-16/16
35	400	10	400	600	404	400	6	525	16	30	44	BR-400-404-10/16
36	400	10	400	600	430	427	6	525	16	30	44	BR-400-430-10/16
37	400	16	400	600	404	400	6	525	16	30	54	BR-400-404-16/16
38	400	16	400	600	430	427	6	525	16	30	54	BR-400-430-16/16
39	450	10	450	644	454	450	6	585	20	30	54	BR-450-454-10/16
40	450	10	450	644	465	460	6	585	20	30	54	BR-450-465-10/16
41	450	10	450	644	517	514	6	585	20	30	54	BR-450-517-10/16
42	450	16	450	644	454	450	6	585	20	30	66	BR-450-454-16/16
43	450	16	450	644	465	460	6	585	20	30	66	BR-450-465-16/16
44	450	16	450	644	517	514	6	585	20	30	66	BR-450-517-16/16
45	500	10	500	720	504	500	6	650	20	33	57	BR-500-504-10/16
46	500	10	500	720	533	530	6	650	20	33	57	BR-500-533-10/16
47	500	16	450	720	517	514	6	650	20	33	72	BR-500-517-16/16
48	500	16	500	720	504	500	6	650	20	33	72	BR-500-504-16/16
49	500	16	500	720	533	530	6	650	20	33	72	BR-500-533-16/16
50	600	10	560	844	618	615	7	770	20	36	62	BR-600-618-10/16

Disclaimer

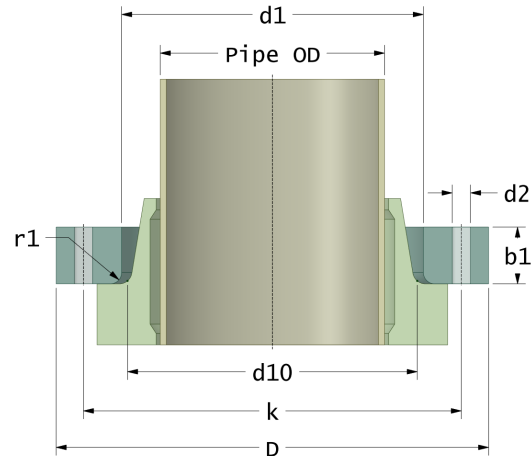
Whilst every care is taken to ensure that the information on this website is complete and accurate, the Rotec Composite Group BV cannot accept responsibility for any omissions or inaccuracies or for any consequences arising therefrom. By using this website, the user accepts the terms of this disclaimer.

23-08-2024

Rotec FRP Overschuif Flenzen

passend op PE & PP kraagbus

Drilling Standard: EN1092 PN16



#	DN (mm)	Pmax (bar)	Pipe OD (mm)	D (mm)	d1 (mm)	d10 (mm)	r1 (mm)	k (mm)	Holes (no.)	d2 (mm)	b1 (mm)	Article Number
51	600	10	600	844	604	600	7	770	20	36	62	BR-600-604-10/16
52	600	10	630	844	648	644	7	770	20	36	62	BR-600-648-10/16
53	600	16	560	844	618	615	7	770	20	36	77	BR-600-618-16/16
54	600	16	600	844	604	600	7	770	20	36	77	BR-600-604-16/16
55	600	16	630	844	648	644	7	770	20	36	77	BR-600-648-16/16
56	700	10	710	910	725	710	7	840	24	36	67	BR-700-725-10/16
57	700	10	710	910	740	737	7	840	24	36	67	BR-700-740-10/16
58	700	16	630	910	645	642	7	840	24	36	82	BR-700-645-16/16
59	700	16	710	910	740	737	7	840	24	36	82	BR-700-740-16/16
60	800	10	800	1025	815	800	7	950	24	39	73	BR-800-815-10/16
61	800	10	800	1025	843	840	7	950	24	39	73	BR-800-843-10/16
62	800	16	800	1025	843	840	7	950	24	39	88	BR-800-843-16/16
63	900	6	900	1125	915	900	7	1050	28	39	62	BR-900-915-06/16
64	900	10	900	1125	915	900	7	1050	28	39	87	BR-900-915-10/16
65	900	10	900	1125	947	944	7	1050	28	39	87	BR-900-947-10/16
66	900	16	900	1125	947	944	7	1050	28	39	110	BR-900-947-16/16
67	1000	10	1000	1265	1015	1000	7	1170	28	42	90	BR-1000-1015-10/16

Disclaimer

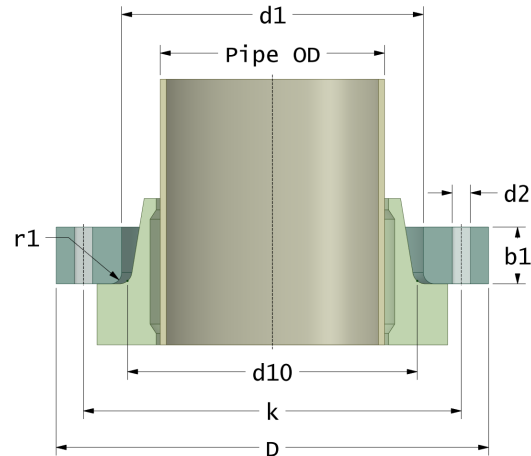
Whilst every care is taken to ensure that the information on this website is complete and accurate, the Rotec Composite Group BV cannot accept responsibility for any omissions or inaccuracies or for any consequences arising therefrom. By using this website, the user accepts the terms of this disclaimer.

23-08-2024

Rotec FRP Overschuif Flenzen

passend op PE & PP kraagbus

Drilling Standard: EN1092 PN16



#	DN (mm)	Pmax (bar)	Pipe OD (mm)	D (mm)	d1 (mm)	d10 (mm)	r1 (mm)	k (mm)	Holes (no.)	d2 (mm)	b1 (mm)	Article Number
68	1000	10	1000	1265	1050	1047	7	1170	28	42	90	BR-1000-1050-10/16
69	1200	10	1200	1494	1215	1200	8	1390	32	48	100	BR-1200-1215-10/16
70	1200	10	1200	1494	1250	1245	8	1390	32	48	100	BR-1200-1250-10/16
71	1200	16	1200	1494	1250	1245	8	1390	32	48	117	BR-1200-1250-16/16

Disclaimer

Whilst every care is taken to ensure that the information on this website is complete and accurate, the Rotec Composite Group BV cannot accept responsibility for any omissions or inaccuracies or for any consequences arising therefrom. By using this website, the user accepts the terms of this disclaimer.

23-08-2024