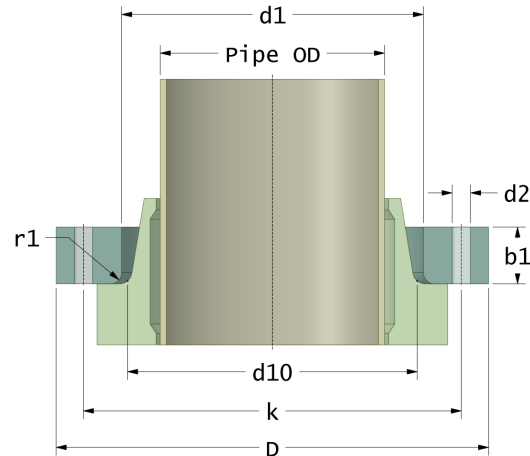


Rotec FRP Overschuif Flenzen

Steuning door warm persen

Drilling Standard: EN1092 PN10, Pipe Type: PE/PP



#	DN (mm)	Pmax (bar)	Pipe OD (mm)	D (mm)	d1 (mm)	d10 (mm)	r1 (mm)	k (mm)	Holes (no.)	d2 (mm)	b1 (mm)	Article Number
1	15	16	20	98	28	27	3	65	4	14	15	BRP-15-28-16/16
2	20	16	25	116	34	33	3	75	4	14	15	BRP-20-34-16/16
3	25	16	32	116	42	40	3	85	4	14	15	BRP-25-42-16/16
4	32	16	40	140	51	50	3	100	4	18	16	BRP-32-51-16/16
5	40	16	50	154	62	61	3	110	4	18	18	BRP-40-62-16/16
6	50	16	63	164	73	72	4	125	4	18	18	BRP-50-73-16/16
7	65	16	75	184	92	89	4	145	4	18	20	BRP-65-92-16/16
8	80	10	90	200	108	107	4	160	8	18	23	BRP-80-108-10/16
9	80	16	90	200	108	107	4	160	8	18	28	BRP-80-108-16/16
10	100	10	110	228	128	125	5	180	8	18	25	BRP-100-128-10/16
11	100	16	110	228	128	125	5	180	8	18	30	BRP-100-128-16/16
12	100	10	125	228	134	133	5	180	8	18	25	BRP-100-134-10/16
13	100	16	125	228	134	133	5	180	8	18	30	BRP-100-134-16/16
14	125	10	140	254	158	155	5	210	8	18	28	BRP-125-158-10/16
15	125	16	140	254	158	155	5	210	8	18	34	BRP-125-158-16/16
16	150	10	160	284	178	175	5	240	8	22	34	BRP-150-178-10/16

Disclaimer

Whilst every care is taken to ensure that the information on this website is complete and accurate, the Rotec Composite Group BV cannot accept responsibility for any omissions or inaccuracies or for any consequences arising therefrom. By using this website, the user accepts the terms of this disclaimer.

Rotec FRP Overschuif Flenzen

Steuning door warm persen

Drilling Standard: EN1092 PN10, Pipe Type: PE/PP



#	DN (mm)	Pmax (bar)	Pipe OD (mm)	D (mm)	d1 (mm)	d10 (mm)	r1 (mm)	k (mm)	Holes (no.)	d2 (mm)	b1 (mm)	Article Number
17	150	16	160	284	178	175	5	240	8	22	40	BRP-150-178-16/16
18	150	10	180	284	185	182	5	240	8	22	34	BRP-150-185-10/16
19	150	16	180	284	185	182	5	240	8	22	40	BRP-150-185-16/16
20	200	6	200	342	235	232	6	295	8	22	35	BRP-200-235-06/10
21	200	10	200	342	235	232	6	295	8	22	41	BRP-200-235-10/10
22	200	6	225	342	238	237	6	295	8	22	35	BRP-200-238-06/10
23	200	10	225	342	238	237	6	295	8	22	41	BRP-200-238-10/10
24	250	6	250	405	288	285	6	350	12	22	35	BRP-250-288-06/10
25	250	10	250	405	288	285	6	350	12	22	42	BRP-250-288-10/10
26	250	6	280	405	294	293	6	350	12	22	35	BRP-250-294-06/10
27	250	10	280	405	294	293	6	350	12	22	42	BRP-250-294-10/10
28	300	6	315	458	338	335	6	400	12	22	42	BRP-300-338-06/10
29	300	10	315	458	338	335	6	400	12	22	50	BRP-300-338-10/10

Disclaimer

Whilst every care is taken to ensure that the information on this website is complete and accurate, the Rotec Composite Group BV cannot accept responsibility for any omissions or inaccuracies or for any consequences arising therefrom. By using this website, the user accepts the terms of this disclaimer.

23-08-2024