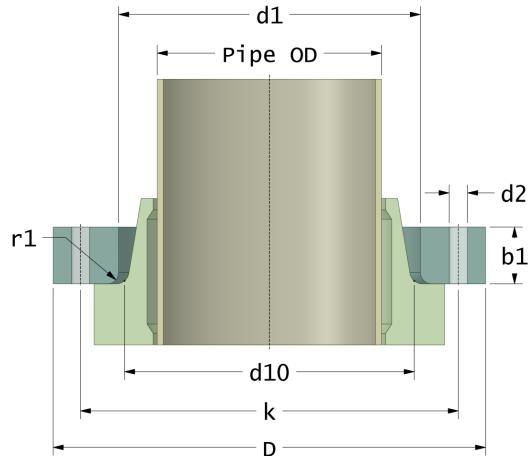


Rotec Overschuif Flenzen (Steuning voor PE- en PP-leidingen)

Drilling Standard: ANSI B16.5 Class 150



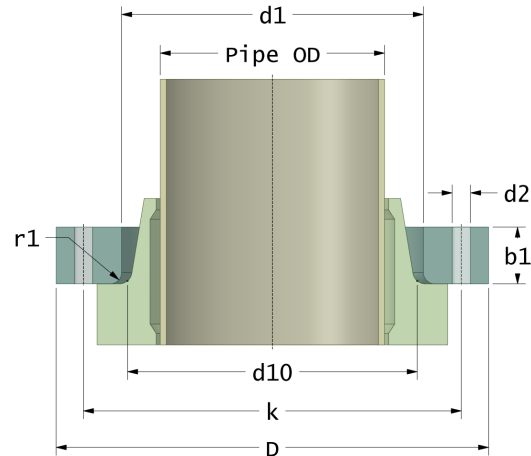
#	DN (mm)	Pmax (bar)	Pipe OD (mm)	D (mm)	d1 (mm)	d10 (mm)	r1 (mm)	k (mm)	Holes (no.)	d2 (mm)	b1 (mm)	Article Number
1	100	10	90	228	108	105	4	191	8	19	25	BR-100-108-10/150
2	100	10	110	228	124	122	4	191	8	19	25	BR-100-124-10/150
3	100	10	110	228	128	125	4	191	8	19	25	BR-100-128-10/150
4	100	10	125	228	134	132	4	191	8	19	25	BR-100-134-10/150
5	100	16	90	228	108	105	4	191	8	19	30	BR-100-108-16/150
6	100	16	110	228	124	122	4	191	8	19	30	BR-100-124-16/150
7	100	16	110	228	128	125	4	191	8	19	30	BR-100-128-16/150
8	100	16	125	228	134	132	4	191	8	19	30	BR-100-134-16/150
9	125	10	110	254	124	122	5	216	8	22	28	BR-125-124-10/150
10	125	10	125	254	134	132	5	216	8	22	28	BR-125-134-10/150
11	125	10	140	254	158	155	5	216	8	22	28	BR-125-158-10/150
12	125	16	110	254	124	122	5	216	8	22	34	BR-125-124-16/150
13	125	16	125	254	134	132	5	216	8	22	34	BR-125-134-16/150
14	125	16	140	254	158	155	5	216	8	22	34	BR-125-158-16/150
15	150	10	140	284	158	155	5	241	8	22	30	BR-150-158-10/150
16	150	10	160	284	178	175	5	241	8	22	30	BR-150-178-10/150

Disclaimer

Whilst every care is taken to ensure that the information on this website is complete and accurate, the Rotec Composite Group BV cannot accept responsibility for any omissions or inaccuracies or for any consequences arising therefrom. By using this website, the user accepts the terms of this disclaimer.

Rotec Overschuif Flenzen (Steuning voor PE- en PP-leidingen)

Drilling Standard: ANSI B16.5 Class 150



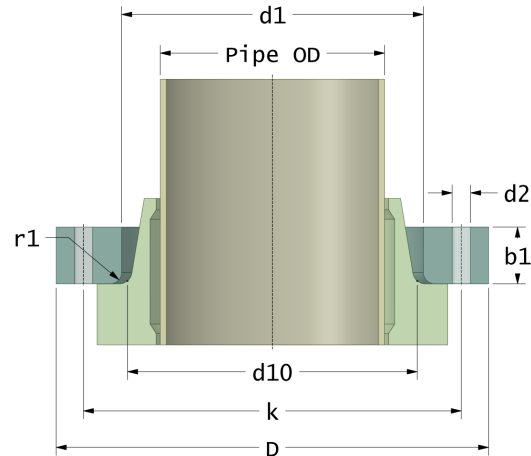
#	DN (mm)	Pmax (bar)	Pipe OD (mm)	D (mm)	d1 (mm)	d10 (mm)	r1 (mm)	k (mm)	Holes (no.)	d2 (mm)	b1 (mm)	Article Number
17	150	10	180	285	188	185	5	241	8	22	30	BR-150-188-10/150
18	150	16	140	284	158	155	5	241	8	22	38	BR-150-158-16/150
19	150	16	160	284	178	175	5	241	8	22	38	BR-150-178-16/150
20	150	16	180	285	188	185	5	241	8	22	38	BR-150-188-16/150
21	200	10	200	350	235	232	5	298	8	22	32	BR-200-235-10/150
22	200	10	225	350	238	235	5	298	8	22	32	BR-200-238-10/150
23	200	16	200	350	235	232	5	298	8	22	40	BR-200-235-16/150
24	200	16	225	350	238	235	5	298	8	22	40	BR-200-238-16/150
25	250	10	250	405	288	285	5	362	12	26	35	BR-250-288-10/150
26	250	10	280	410	294	291	5	362	12	26	35	BR-250-294-10/150
27	250	16	250	405	288	285	5	362	12	26	45	BR-250-288-16/150
28	250	16	280	410	294	291	5	362	12	26	45	BR-250-294-16/150
29	300	10	315	490	338	335	5	432	12	25	39	BR-300-338-10/150
30	300	16	315	490	338	335	5	432	12	25	46	BR-300-338-16/150
31	350	10	355	540	358	355	6	476	12	29	42	BR-350-358-10/150
32	350	10	355	540	376	373	6	476	12	29	42	BR-350-376-10/150
33	350	16	355	540	358	355	6	476	12	29	52	BR-350-358-16/150

Disclaimer

Whilst every care is taken to ensure that the information on this website is complete and accurate, the Rotec Composite Group BV cannot accept responsibility for any omissions or inaccuracies or for any consequences arising therefrom. By using this website, the user accepts the terms of this disclaimer.

Rotec Overschuif Flenzen (Steuning voor PE- en PP-leidingen)

Drilling Standard: ANSI B16.5 Class 150



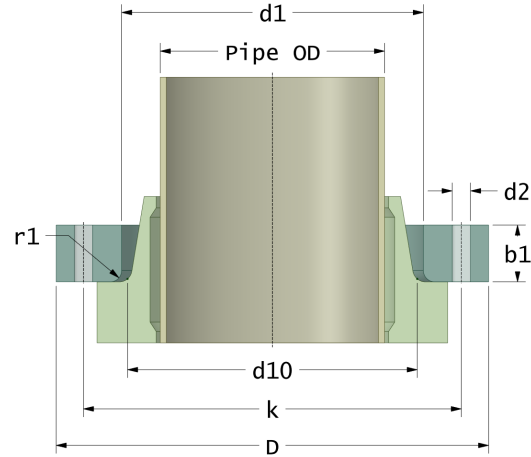
#	DN (mm)	Pmax (bar)	Pipe OD (mm)	D (mm)	d1 (mm)	d10 (mm)	r1 (mm)	k (mm)	Holes (no.)	d2 (mm)	b1 (mm)	Article Number
34	350	16	355	540	376	373	6	476	12	29	52	BR-350-376-16/150
35	400	10	400	600	404	400	6	540	16	29	44	BR-400-404-10/150
36	400	10	400	600	430	427	6	540	16	29	44	BR-400-430-10/150
37	400	16	400	600	404	400	6	540	16	29	54	BR-400-404-16/150
38	400	16	400	600	430	427	6	540	16	29	54	BR-400-430-16/150
39	450	10	450	644	454	450	6	578	16	32	54	BR-450-454-10/150
40	450	10	450	644	465	460	6	578	16	32	54	BR-450-465-10/150
41	450	10	450	644	517	514	6	578	16	32	54	BR-450-517-10/150
42	450	16	450	644	454	450	6	578	16	32	66	BR-450-454-16/150
43	450	16	450	644	465	460	6	578	16	32	66	BR-450-465-16/150
44	450	16	450	644	517	514	6	578	16	32	66	BR-450-517-16/150
45	500	10	500	720	504	500	6	635	20	32	57	BR-500-504-10/150
46	500	10	500	720	533	530	6	635	20	32	57	BR-500-533-10/150
47	500	16	500	720	504	500	6	635	20	32	72	BR-500-504-16/150
48	500	16	500	720	533	530	6	635	20	32	72	BR-500-533-16/150
49	600	10	560	844	618	615	7	749	20	35	62	BR-600-618-10/150
50	600	10	600	844	604	600	7	749	20	35	62	BR-600-604-10/150

Disclaimer

Whilst every care is taken to ensure that the information on this website is complete and accurate, the Rotec Composite Group BV cannot accept responsibility for any omissions or inaccuracies or for any consequences arising therefrom. By using this website, the user accepts the terms of this disclaimer.

Rotec Overschuif Flenzen (Steuning voor PE- en PP-leidingen)

Drilling Standard: ANSI B16.5 Class 150



#	DN (mm)	Pmax (bar)	Pipe OD (mm)	D (mm)	d1 (mm)	d10 (mm)	r1 (mm)	k (mm)	Holes (no.)	d2 (mm)	b1 (mm)	Article Number
51	600	10	630	844	648	644	7	749	20	35	62	BR-600-648-10/150
52	600	16	560	844	618	615	7	749	20	35	77	BR-600-618-16/150
53	600	16	600	844	604	600	7	749	20	35	77	BR-600-604-16/150
54	600	16	630	844	648	644	7	749	20	35	77	BR-600-648-16/150

Disclaimer

Whilst every care is taken to ensure that the information on this website is complete and accurate, the Rotec Composite Group BV cannot accept responsibility for any omissions or inaccuracies or for any consequences arising therefrom. By using this website, the user accepts the terms of this disclaimer.