

Rotec Overschuif Flenzen (Steuning voor GVK-leidingen)

Drilling Standard: AS 2129 Table D



#	DN (mm)	Pmax (bar)	D (mm)	d1 (mm)	d10 (mm)	r1 (mm)	k (mm)	Holes (no.)	d2 (mm)	b1 (mm)	Article Number
1	150	10	285	189	186	5	235	8	18	30	BR-150-189-10/AS-D
2	150	16	285	189	186	5	235	8	18	38	BR-150-189-16/AS-D
3	200	10	350	238	237	5	292	8	18	32	BR-200-238-10/AS-D
4	200	16	350	238	237	5	292	8	18	40	BR-200-238-16/AS-D
5	250	10	410	294	293	5	356	8	22	34	BR-250-294-10/AS-D
6	250	16	410	294	293	5	356	8	22	42	BR-250-294-16/AS-D
7	300	10	460	350	348	5	406	12	22	37	BR-300-350-10/AS-D
8	300	16	460	350	348	5	406	12	22	47	BR-300-350-16/AS-D
9	350	10	540	402	400	6	470	12	26	42	BR-350-402-10/AS-D
10	350	16	540	402	400	6	470	12	26	53	BR-350-402-16/AS-D
11	400	10	600	455	453	6	521	12	26	47	BR-400-455-10/AS-D
12	400	16	600	455	453	6	521	12	26	58	BR-400-455-16/AS-D
13	450	10	644	508	506	6	584	12	26	53	BR-450-508-10/AS-D
14	450	16	644	508	506	6	584	12	26	67	BR-450-508-16/AS-D
15	500	3	720	560	558	6	641	16	26	35	BR-500-560-03/AS-D
16	500	10	720	565	558	8	641	16	26	57	BR-500-565-10/AS-D

Disclaimer

Whilst every care is taken to ensure that the information on this website is complete and accurate, the Rotec Composite Group BV cannot accept responsibility for any omissions or inaccuracies or for any consequences arising therefrom. By using this website, the user accepts the terms of this disclaimer.

Rotec Overschuif Flenzen (Steuning voor GVK-leidingen)

Drilling Standard: AS 2129 Table D



#	DN (mm)	Pmax (bar)	D (mm)	d1 (mm)	d10 (mm)	r1 (mm)	k (mm)	Holes (no.)	d2 (mm)	b1 (mm)	Article Number
17	500	16	720	565	558	8	641	16	26	72	BR-500-565-16/AS-D
18	600	3	844	653	649	9	756	16	30	34	BR-600-653-03/AS-D
19	600	10	844	653	649	9	756	16	30	62	BR-600-653-10/AS-D
20	600	16	844	653	649	9	756	16	30	78	BR-600-653-16/AS-D
21	700	3	910	762	758	7	845	20	30	36	BR-700-762-03/AS-D
22	700	10	910	762	758	7	845	20	30	64	BR-700-762-10/AS-D
23	700	16	910	762	758	7	845	20	30	82	BR-700-762-16/AS-D
24	800	3	1085	854	850	13	984	20	36	38	BR-800-854-03/AS-D
25	800	10	1085	854	850	13	984	20	36	70	BR-800-854-10/AS-D
26	800	16	1085	854	850	13	984	20	36	88	BR-800-854-16/AS-D
27	900	3	1190	956	952	13	1092	24	36	40	BR-900-956-03/AS-D
28	900	6	1190	956	952	13	1092	24	36	62	BR-900-956-06/AS-D
29	900	10	1190	956	952	13	1092	24	36	87	BR-900-956-10/AS-D
30	900	16	1190	956	952	13	1092	24	36	110	BR-900-956-16/AS-D
31	1000	3	1265	1064	1060	13	1175	24	36	45	BR-1000-1064-03/AS-D
32	1000	6	1265	1064	1060	13	1175	24	36	65	BR-1000-1064-06/AS-D
33	1000	10	1265	1064	1060	13	1175	24	36	90	BR-1000-1064-10/AS-D

Disclaimer

Whilst every care is taken to ensure that the information on this website is complete and accurate, the Rotec Composite Group BV cannot accept responsibility for any omissions or inaccuracies or for any consequences arising therefrom. By using this website, the user accepts the terms of this disclaimer.

Rotec Overschuif Flenzen (Steuning voor GVK-leidingen)

Drilling Standard: AS 2129 Table D



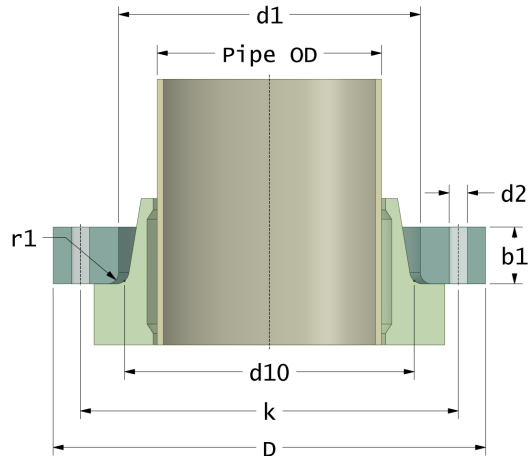
#	DN (mm)	Pmax (bar)	D (mm)	d1 (mm)	d10 (mm)	r1 (mm)	k (mm)	Holes (no.)	d2 (mm)	b1 (mm)	Article Number
34	1000	16	1265	1064	1060	13	1175	24	36	131	BR-1000-1064-16/AS-D
35	1200	3	1540	1284	1278	8	1410	32	36	55	BR-1200-1284-03/AS-D
36	1200	6	1540	1284	1278	8	1410	32	36	70	BR-1200-1284-06/AS-D
37	1200	10	1540	1282	1278	11	1410	32	36	100	BR-1200-1282-10/AS-D
38	1200	16	1540	1282	1278	11	1410	32	36	152	BR-1200-1282-16/AS-D
39	1400	3	1700	1492	1484	8	1615	36	36	60	BR-1400-1492-03/AS-D
40	1400	10	1700	1492	1484	8	1615	36	36	105	BR-1400-1492-10/AS-D
41	1600	3	1950	1704	1696	9	1825	40	39	70	BR-1600-1704-03/AS-D
42	1600	6	1950	1704	1696	9	1825	40	39	90	BR-1600-1704-06/AS-D
43	1600	10	1950	1704	1696	9	1825	40	39	160	BR-1600-1704-10/AS-D
44	1800	3	2150	1912	1902	9	2019	44	42	75	BR-1800-1912-03/AS-D
45	1800	6	2150	1912	1902	9	2019	44	42	100	BR-1800-1912-06/AS-D
46	1800	10	2150	1912	1902	9	2019	44	42	180	BR-1800-1912-10/AS-D
47	1800	16	2150	1948	1938	15	2019	44	42	230	BR-1800-1948-16/AS-D
48	2000	3	2360	2126	2114	13	2250	44	42	80	BR-2000-2126-03/AS-D
49	2000	6	2360	2126	2114	13	2250	44	42	110	BR-2000-2126-06/AS-D
50	2000	10	2360	2126	2114	13	2250	44	42	205	BR-2000-2126-10/AS-D

Disclaimer

Whilst every care is taken to ensure that the information on this website is complete and accurate, the Rotec Composite Group BV cannot accept responsibility for any omissions or inaccuracies or for any consequences arising therefrom. By using this website, the user accepts the terms of this disclaimer.

Rotec Overschuif Flenzen (Steuning voor GVK-leidingen)

Drilling Standard: AS 2129 Table D



#	DN (mm)	Pmax (bar)	D (mm)	d1 (mm)	d10 (mm)	r1 (mm)	k (mm)	Holes (no.)	d2 (mm)	b1 (mm)	Article Number
51	2200	3	2580	2338	2325	13	2460	44	48	122	BR-2200-2338-03/AS-D
52	2200	6	2580	2338	2325	13	2460	44	48	175	BR-2200-2338-06/AS-D
53	2400	3	2810	2548	2534	14	2673	52	48	130	BR-2400-2548-03/AS-D
54	2400	6	2810	2548	2534	14	2673	52	48	184	BR-2400-2548-06/AS-D
55	2400	10	2810	2548	2534	14	2673	52	48	230	BR-2400-2548-10/AS-D

Disclaimer

Whilst every care is taken to ensure that the information on this website is complete and accurate, the Rotec Composite Group BV cannot accept responsibility for any omissions or inaccuracies or for any consequences arising therefrom. By using this website, the user accepts the terms of this disclaimer.