

Anneaux de recouvrement FRP

Anneau de renfort par pressage à chaud

Drilling Standard: ANSI B16.5 Class 150, Pipe Type: PVC



#	DN (mm)	Pmax (bar)	Pipe OD (mm)	D (mm)	d1 (mm)	d10 (mm)	r1 (mm)	k (mm)	Holes (no.)	d2 (mm)	b1 (mm)	Article Number
1	15	16	20	98	28	27	3	60	4	16	15	BRPVC-15-28-16/150
2	20	16	25	98	34	33	3	70	4	16	15	BRPVC-20-34-16/150
3	25	16	32	116	42	40	3	79	4	16	15	BRPVC-25-42-16/150
4	32	16	40	116	51	50	3	89	4	16	16	BRPVC-32-51-16/150
5	40	16	50	140	62	61	3	98	4	16	18	BRPVC-40-62-16/150
6	50	16	63	154	78	75	4	121	4	19	18	BRPVC-50-78-16/150
7	65	10	75	184	92	89	4	140	4	19	16	BRPVC-65-92-10/150
8	65	16	75	184	92	89	4	140	4	19	20	BRPVC-65-92-16/150
9	80	6	90	200	112	111	4	152	4	19	18	BRPVC-80-112-06/150
10	80	10	90	200	112	111	4	152	4	19	23	BRPVC-80-112-10/150
11	80	16	90	200	112	111	4	152	4	19	28	BRPVC-80-112-16/150
12	100	6	125	228	134	133	5	190	8	19	20	BRPVC-100-134-06/150
13	100	10	125	228	134	133	5	190	8	19	25	BRPVC-100-134-10/150
14	100	16	125	228	134	133	5	190	8	19	30	BRPVC-100-134-16/150
15	125	6	140	254	167	163	5	216	8	22	22	BRPVC-125-167-06/150
16	125	10	140	254	167	163	5	216	8	22	28	BRPVC-125-167-10/150

Disclaimer

Whilst every care is taken to ensure that the information on this website is complete and accurate, the Rotec Composite Group BV cannot accept responsibility for any omissions or inaccuracies or for any consequences arising therefrom. By using this website, the user accepts the terms of this disclaimer.

18-12-2024

Anneaux de recouvrement FRP

Anneau de renfort par pressage à chaud

Drilling Standard: ANSI B16.5 Class 150, Pipe Type: PVC



#	DN (mm)	Pmax (bar)	Pipe OD (mm)	D (mm)	d1 (mm)	d10 (mm)	r1 (mm)	k (mm)	Holes (no.)	d2 (mm)	b1 (mm)	Article Number
17	125	16	140	254	167	163	5	216	8	22	34	BRPVC-125-167-16/150
18	150	6	180	284	189	188	5	241	8	22	25	BRPVC-150-189-06/150
19	150	10	180	284	189	188	5	241	8	22	34	BRPVC-150-189-10/150
20	150	16	180	284	189	188	5	241	8	22	40	BRPVC-150-189-16/150
21	200	4	200	342	226	222	6	298	8	22	25	BRPVC-200-226-04/150
22	200	4	200	342	235	232	6	298	8	22	25	BRPVC-200-235-04/150
23	200	4	225	342	252	247	6	298	8	22	25	BRPVC-200-252-04/150
24	200	10	200	342	226	222	6	298	8	22	38	BRPVC-200-226-10/150
25	200	10	200	342	235	232	6	298	8	22	38	BRPVC-200-235-10/150
26	200	10	225	342	252	247	6	298	8	22	38	BRPVC-200-252-10/150
27	200	16	200	342	226	222	6	298	8	22	48	BRPVC-200-226-16/150
28	200	16	200	342	235	232	6	298	8	22	48	BRPVC-200-235-16/150
29	200	16	225	342	252	247	6	298	8	22	48	BRPVC-200-252-16/150
30	250	4	250	405	277	273	6	362	12	26	28	BRPVC-250-277-04/150
31	250	4	280	405	310	306	6	362	12	26	28	BRPVC-250-310-04/150
32	250	10	250	405	277	273	6	362	12	26	42	BRPVC-250-277-10/150
33	250	10	280	405	310	306	6	362	12	26	42	BRPVC-250-310-10/150

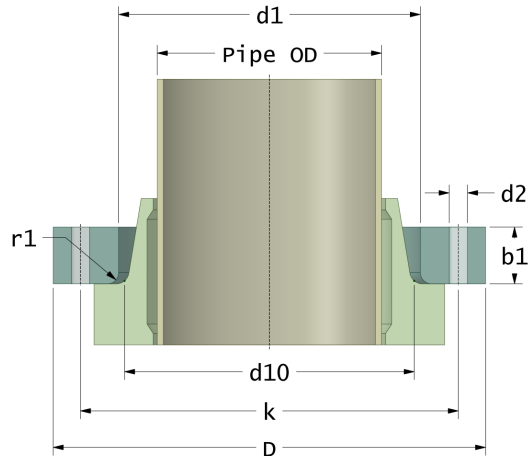
Disclaimer

Whilst every care is taken to ensure that the information on this website is complete and accurate, the Rotec Composite Group BV cannot accept responsibility for any omissions or inaccuracies or for any consequences arising therefrom. By using this website, the user accepts the terms of this disclaimer.

Anneaux de recouvrement FRP

Anneau de renfort par pressage à chaud

Drilling Standard: ANSI B16.5 Class 150, Pipe Type: PVC



#	DN (mm)	Pmax (bar)	Pipe OD (mm)	D (mm)	d1 (mm)	d10 (mm)	r1 (mm)	k (mm)	Holes (no.)	d2 (mm)	b1 (mm)	Article Number
34	250	16	250	405	277	273	6	362	12	26	54	BRPVC-250-277-16/150
35	250	16	280	405	310	306	6	362	12	26	54	BRPVC-250-310-16/150
36	300	4	315	485	348	347	6	432	12	26	35	BRPVC-300-348-04/150
37	300	10	315	485	348	347	6	432	12	26	52	BRPVC-300-348-10/150

Disclaimer

Whilst every care is taken to ensure that the information on this website is complete and accurate, the Rotec Composite Group BV cannot accept responsibility for any omissions or inaccuracies or for any consequences arising therefrom. By using this website, the user accepts the terms of this disclaimer.

18-12-2024