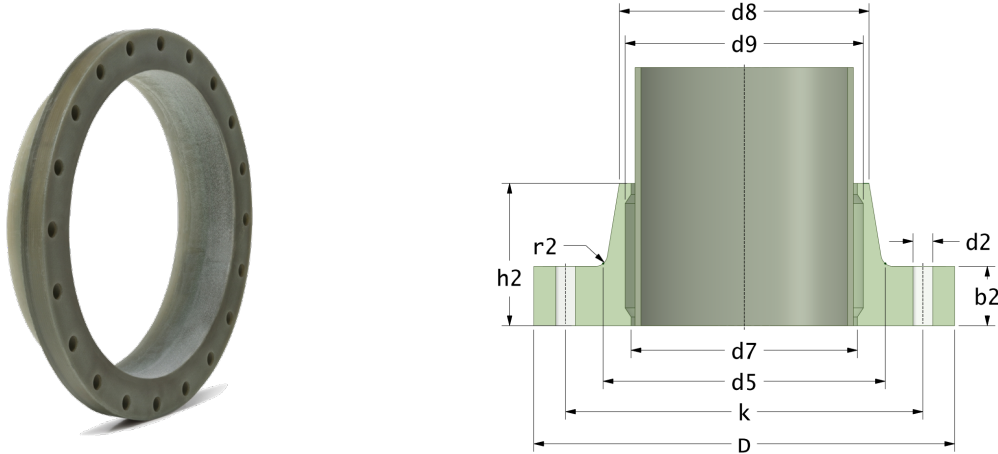


Rotec Brides fixes

Face plate RTM pour tuyau PRV

Drilling Standard: EN1092 PN25



#	DN (mm)	Pmax (bar)	D (mm)	d7 (mm)	d9 (mm)	d8 (mm)	d5 (mm)	r2 (mm)	k (mm)	Holes (no.)	d2 (mm)	h2 (mm)	b2 (mm)	Article Number
1	150	20	305	167	171	178	186	9	250	8	26	87	37	FF-150-20/25
2	150	25	305	167	171	178	186	9	250	8	26	94	44	FF-150-25/25
3	200	20	380	221	225	230	246	11	310	12	26	108	46	FF-200-20/25
4	200	20	380	221	225	230	246	11	310	12	26	108	46	FF-200-209-20/25
5	200	25	380	221	225	230	246	11	310	12	26	118	56	FF-200-25/25
6	250	20	430	273	277	288	298	9	370	12	30	115	55	FF-250-20/25
7	250	25	430	273	277	288	298	9	370	12	30	128	68	FF-250-25/25
8	300	20	490	326	330	338	354	9	430	16	30	129	64	FF-300-20/25
9	300	25	490	326	330	338	354	9	430	16	30	145	80	FF-300-25/25
10	350	20	585	378	382	390	406	12	490	16	33	163	73	FF-350-20/25
11	350	25	585	378	382	390	406	12	490	16	33	182	92	FF-350-25/25
12	400	20	640	429	433	441	464	12	550	16	36	182	82	FF-400-20/25
13	400	25	640	429	433	441	464	12	550	16	36	204	104	FF-400-25/25
14	500	20	735	532	536	547	570	12	660	20	36	195	100	FF-500-20/25
15	500	25	735	532	536	547	570	12	660	20	36	223	128	FF-500-25/25
16	630	20	850	631	635	644	670	14	770	20	39	228	118	FF-630-20/25
17	630	25	850	631	635	644	670	14	770	20	39	262	152	FF-630-25/25
18	700	20	960	720	724	733	765	18	875	24	42	261	136	FF-700-20/25

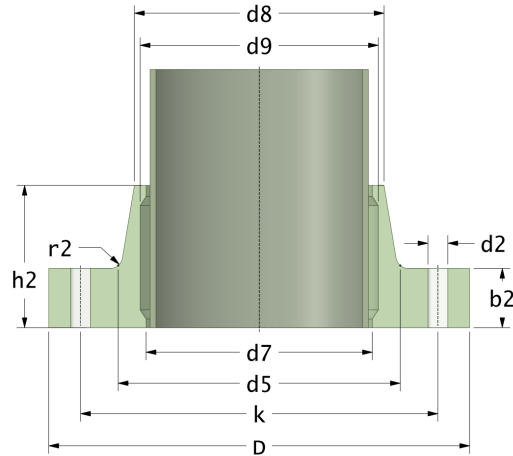
Disclaimer

Whilst every care is taken to ensure that the information on this website is complete and accurate, the Rotec Composite Group BV cannot accept responsibility for any omissions or inaccuracies or for any consequences arising therefrom. By using this website, the user accepts the terms of this disclaimer.

Rotec Brides fixes

Face plate RTM pour tuyau PRV

Drilling Standard: EN1092 PN25



#	DN (mm)	Pmax (bar)	D (mm)	d7 (mm)	d9 (mm)	d8 (mm)	d5 (mm)	r2 (mm)	k (mm)	Holes (no.)	d2 (mm)	h2 (mm)	b2 (mm)	Article Number
19	700	25	960	720	724	733	765	18	875	24	42	301	176	FF-700-25/25
20	800	20	1085	822	826	835	868	18	990	24	48	299	154	FF-800-20/25
21	800	25	1085	822	826	835	868	18	990	24	48	345	200	FF-800-25/25
22	900	20	1190	924	928	939	964	18	1090	28	48	332	172	FF-900-20/25
23	900	25	1190	924	928	939	964	18	1090	28	48	384	224	FF-900-25/25
24	1000	20	1320	1026	1030	1044	1075	18	1210	28	56	370	190	FF-1000-20/25
25	1000	25	1320	1026	1030	1044	1075	18	1210	28	56	428	248	FF-1000-25/25
26	1200	20	1540	1231	1235	1250	1280	18	1420	32	56	416	226	FF-1200-20/25

Disclaimer

Whilst every care is taken to ensure that the information on this website is complete and accurate, the Rotec Composite Group BV cannot accept responsibility for any omissions or inaccuracies or for any consequences arising therefrom. By using this website, the user accepts the terms of this disclaimer.