

Rotec Anneaux de renfort

Adapté pour bride à collerette PRV Rotec

Drilling Standard: JIS B2220 10K



#	DN (mm)	Pmax (bar)	D (mm)	d1 (mm)	d10 (mm)	r1 (mm)	k (mm)	Holes (no.)	d2 (mm)	b1 (mm)	Article Number
1	150	10	285	189	186	5	240	8	23	30	BR-150-189-10/10K
2	200	10	350	238	237	5	290	12	23	32	BR-200-238-10/10K
3	250	10	410	294	293	5	355	12	25	34	BR-250-294-10/10K
4	400	10	570	455	453	6	510	16	27	47	BR-400-455-10/10K
5	450	10	644	508	506	6	565	20	27	53	BR-450-508-10/10K
6	500	3	674	560	558	6	620	20	27	35	BR-500-560-03/10K
7	500	10	674	560	558	6	620	20	27	57	BR-500-560-10/10K
8	600	3	795	653	649	9	730	24	33	34	BR-600-653-03/10K
9	600	10	795	653	649	9	730	24	33	62	BR-600-653-10/10K
10	700	3	910	762	758	7	840	24	33	36	BR-700-762-03/10K
11	700	10	910	762	758	7	840	24	33	64	BR-700-762-10/10K
12	800	3	1025	854	850	13	950	28	33	38	BR-800-854-03/10K
13	800	10	1025	854	850	13	950	28	33	70	BR-800-854-10/10K
14	900	3	1125	956	952	13	1050	28	33	40	BR-900-956-03/10K
15	900	6	1125	956	952	13	1050	28	33	62	BR-900-956-06/10K
16	900	10	1125	956	952	13	1050	28	33	87	BR-900-956-10/10K

Disclaimer

Whilst every care is taken to ensure that the information on this website is complete and accurate, the Rotec Composite Group BV cannot accept responsibility for any omissions or inaccuracies or for any consequences arising therefrom. By using this website, the user accepts the terms of this disclaimer.

Rotec Anneaux de renfort

Adapté pour bride à collerette PRV Rotec

Drilling Standard: JIS B2220 10K



#	DN (mm)	Pmax (bar)	D (mm)	d1 (mm)	d10 (mm)	r1 (mm)	k (mm)	Holes (no.)	d2 (mm)	b1 (mm)	Article Number
17	1000	3	1244	1064	1060	13	1160	28	39	45	BR-1000-1064-03/10K
18	1000	6	1244	1064	1060	13	1160	28	39	65	BR-1000-1064-06/10K
19	1000	10	1244	1064	1060	13	1160	28	39	90	BR-1000-1064-10/10K
20	1100	3	1355	1152	1142	8	1270	28	39	62	BR-1100-1152-03/10K
21	1100	3	1355	1184	1174	8	1270	28	39	62	BR-1100-1184-03/10K
22	1100	6	1355	1152	1142	8	1270	28	39	88	BR-1100-1152-06/10K
23	1100	6	1355	1184	1174	8	1270	28	39	88	BR-1100-1184-06/10K
24	1100	10	1355	1152	1142	8	1270	28	39	114	BR-1100-1152-10/10K
25	1100	10	1355	1184	1174	8	1270	28	39	114	BR-1100-1184-10/10K
26	1200	3	1470	1284	1278	8	1380	32	39	55	BR-1200-1284-03/10K
27	1200	6	1470	1284	1278	8	1380	32	39	70	BR-1200-1284-6/10K
28	1200	10	1470	1284	1278	8	1380	32	39	100	BR-1200-1284-10/10K
29	1350	3	1640	1440	1430	10	1540	36	45	76	BR-1350-1440-03/10K
30	1350	6	1640	1440	1430	10	1540	36	45	107	BR-1350-1440-06/10K
31	1350	10	1640	1440	1430	10	1540	36	45	130	BR-1350-1440-10/10K
32	1500	3	1810	1596	1586	11	1700	40	45	80	BR-1500-1596-03/10K
33	1500	6	1810	1596	1586	11	1700	40	45	115	BR-1500-1596-06/10K

Disclaimer

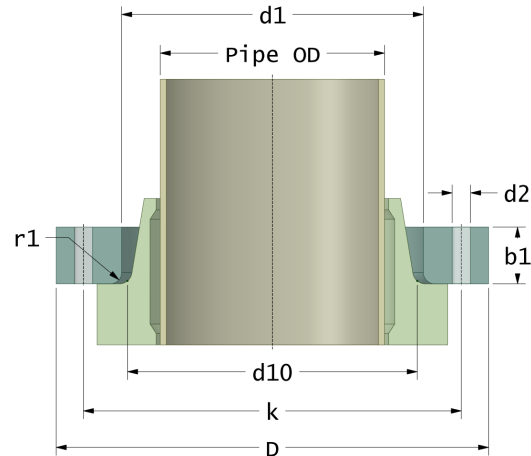
Whilst every care is taken to ensure that the information on this website is complete and accurate, the Rotec Composite Group BV cannot accept responsibility for any omissions or inaccuracies or for any consequences arising therefrom. By using this website, the user accepts the terms of this disclaimer.

12-04-2024

Rotec Anneaux de renfort

Adapté pour bride à collerette PRV Rotec

Drilling Standard: JIS B2220 10K



#	DN (mm)	Pmax (bar)	D (mm)	d1 (mm)	d10 (mm)	r1 (mm)	k (mm)	Holes (no.)	d2 (mm)	b1 (mm)	Article Number
34	1500	10	1810	1596	1586	11	1700	40	45	145	BR-1500-1596-10/10K

Disclaimer

Whilst every care is taken to ensure that the information on this website is complete and accurate, the Rotec Composite Group BV cannot accept responsibility for any omissions or inaccuracies or for any consequences arising therefrom. By using this website, the user accepts the terms of this disclaimer.

12-04-2024