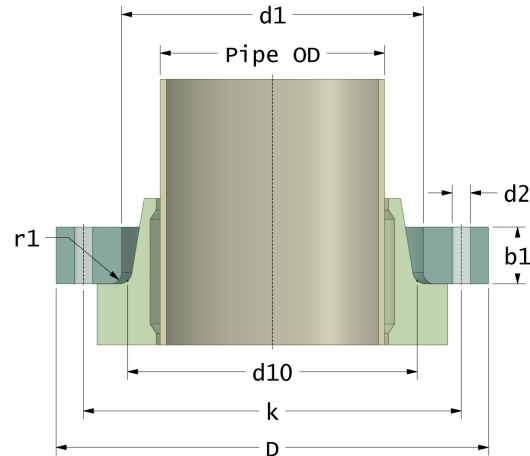


Rotec Anneaux de renfort

Adapté pour bride à collerette PRV Rotec

Drilling Standard: EN1092 PN25



#	DN (mm)	Pmax (bar)	D (mm)	d1 (mm)	d10 (mm)	r1 (mm)	k (mm)	Holes (no.)	d2 (mm)	b1 (mm)	Article Number
1	150	20	305	193	190	6	250	8	26	43	BR-150-193-20/25
2	150	25	305	193	190	6	250	8	26	46	BR-150-193-25/25
3	200	20	380	250	246	6	310	12	26	45	BR-200-250-20/25
4	200	25	380	250	246	6	310	12	26	48	BR-200-250-25/25
5	250	20	430	304	300	6	370	12	30	48	BR-250-304-20/25
6	250	25	430	304	300	6	370	12	30	48	BR-250-304-25/25
7	300	20	490	359	353	6	430	16	30	52	BR-300-359-20/25
8	300	25	490	359	353	6	430	16	30	57	BR-300-359-25/25
9	350	20	585	414	408	8	490	16	33	56	BR-350-414-20/25
10	350	25	585	414	408	8	490	16	33	62	BR-350-414-25/25
11	400	20	640	469	463	9	550	16	36	65	BR-400-469-20/25
12	400	25	640	469	463	9	550	16	36	70	BR-400-469-25/25
13	500	20	735	577	571	9	660	20	36	77	BR-500-577-20/25
14	500	25	735	577	571	9	660	20	36	88	BR-500-577-25/25
15	630	20	850	687	681	9	770	20	39	89	BR-630-687-20/25
16	630	25	850	687	681	9	770	20	39	97	BR-630-687-25/25

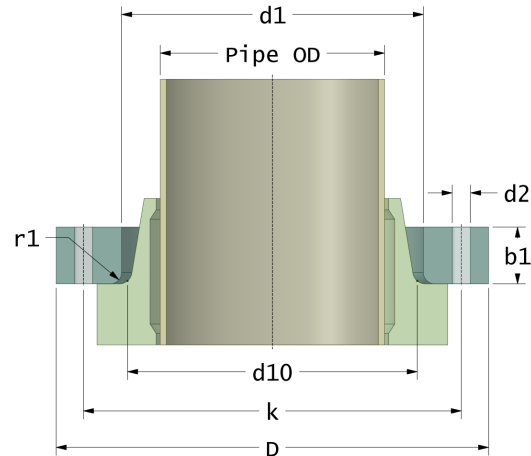
Disclaimer

Whilst every care is taken to ensure that the information on this website is complete and accurate, the Rotec Composite Group BV cannot accept responsibility for any omissions or inaccuracies or for any consequences arising therefrom. By using this website, the user accepts the terms of this disclaimer.

Rotec Anneaux de renfort

Adapté pour bride à collerette PRV Rotec

Drilling Standard: EN1092 PN25



#	DN (mm)	Pmax (bar)	D (mm)	d1 (mm)	d10 (mm)	r1 (mm)	k (mm)	Holes (no.)	d2 (mm)	b1 (mm)	Article Number
17	700	20	960	783	775	10	875	24	42	105	BR-700-783-20/25
18	700	25	960	783	775	10	875	24	42	113	BR-700-783-25/25
19	800	20	1085	892	884	11	990	24	48	115	BR-800-892-20/25
20	800	25	1085	892	884	11	990	24	48	122	BR-800-892-25/25

Disclaimer

Whilst every care is taken to ensure that the information on this website is complete and accurate, the Rotec Composite Group BV cannot accept responsibility for any omissions or inaccuracies or for any consequences arising therefrom. By using this website, the user accepts the terms of this disclaimer.

12-04-2024