

Rotec Anneaux de renfort

Adapté pour bride à collerette PRV Rotec

Drilling Standard: ANSI B16.47 Class 150



#	DN (mm)	Pmax (bar)	D (mm)	d1 (mm)	d10 (mm)	r1 (mm)	k (mm)	Holes (no.)	d2 (mm)	b1 (mm)	Article Number
1	700	3	950	762	758	7	864	28	35	36	BR-700-762-03/150
2	700	10	950	762	758	7	864	28	35	64	BR-700-762-10/150
3	700	10	950	740	-	7	864	28	35	67	BR-700-740-10/150
4	700	16	950	762	758	7	864	28	35	82	BR-700-762-16/150
5	700	16	950	740	-	7	864	28	35	82	BR-700-740-16/150
6	800	3	1085	854	850	13	978	28	41	38	BR-800-854-03/150
7	800	10	1085	854	850	13	978	28	41	70	BR-800-854-10/150
8	800	10	1085	843	-	7	978	28	41	70	BR-800-843-10/150
9	800	16	1085	854	850	13	978	28	41	88	BR-800-854-16/150
10	800	16	1085	843	-	7	978	28	41	88	BR-800-843-16/150
11	900	3	1190	956	952	13	1086	32	41	40	BR-900-956-03/150
12	900	3	1190	947	-	7	1086	32	41	42	BR-900-947-03/150
13	900	6	1190	956	952	13	1086	32	41	62	BR-900-956-06/150
14	900	10	1190	956	952	13	1086	32	41	87	BR-900-956-10/150
15	900	16	1190	956	952	13	1086	32	41	110	BR-900-956-16/150
16	1000	3	1320	1064	1060	13	1200	36	41	45	BR-1000-1064-03/150

Disclaimer

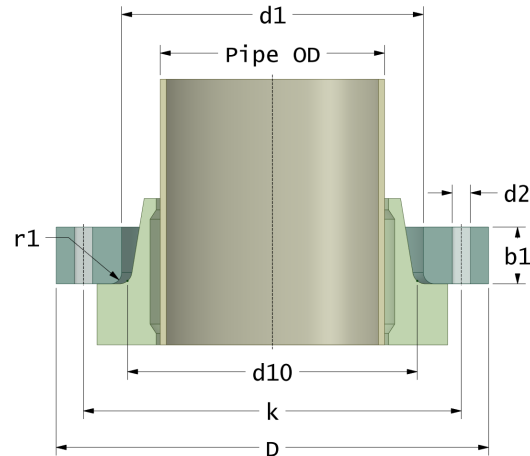
Whilst every care is taken to ensure that the information on this website is complete and accurate, the Rotec Composite Group BV cannot accept responsibility for any omissions or inaccuracies or for any consequences arising therefrom. By using this website, the user accepts the terms of this disclaimer.

12-04-2024

Rotec Anneaux de renfort

Adapté pour bride à collerette PRV Rotec

Drilling Standard: ANSI B16.47 Class 150



#	DN (mm)	Pmax (bar)	D (mm)	d1 (mm)	d10 (mm)	r1 (mm)	k (mm)	Holes (no.)	d2 (mm)	b1 (mm)	Article Number
17	1000	6	1320	1064	1060	13	1200	36	41	65	BR-1000-1064-06/150
18	1000	6	1320	1050	-	7	1200	36	41	65	BR-1000-1050-06/150
19	1000	10	1320	1064	1060	13	1200	36	41	90	BR-1000-1064-10/150
20	1000	10	1320	1050	-	7	1200	36	41	90	BR-1000-1050-10/150
21	1000	16	1320	1064	1060	13	1200	36	41	131	BR-1000-1064-16/150
22	1100	3	1430	1168	1158	9	1314	40	41	60	BR-1100-1168-03/150
23	1100	3	1430	1198	1188	9	1314	40	41	60	BR-1100-1198-03/150
24	1100	6	1430	1168	1158	9	1314	40	41	84	BR-1100-1168-06/150
25	1100	6	1430	1198	1188	9	1314	40	41	84	BR-1100-1198-06/150
26	1100	10	1430	1168	1158	9	1314	40	41	109	BR-1100-1168-10/150
27	1100	10	1430	1198	1188	9	1314	40	41	117	BR-1100-1198-10/150
28	1100	16	1430	1168	1158	9	1314	40	41	137	BR-1100-1168-16/150
29	1100	16	1430	1198	1188	9	1314	40	41	140	BR-1100-1198-16/150
30	1200	6	1520	1250	-	8	1422	44	41	70	BR-1200-1250-06/150
31	1200	10	1520	1250	-	8	1422	44	41	100	BR-1200-1250-10/150
32	1200	10	1540	1282	1278	11	1422	44	41	100	BR-1200-1282-10/150
33	1200	16	1540	1282	1278	11	1422	44	41	152	BR-1200-1282-16/150

Disclaimer

Whilst every care is taken to ensure that the information on this website is complete and accurate, the Rotec Composite Group BV cannot accept responsibility for any omissions or inaccuracies or for any consequences arising therefrom. By using this website, the user accepts the terms of this disclaimer.

Rotec Anneaux de renfort

Adapté pour bride à collerette PRV Rotec

Drilling Standard: ANSI B16.47 Class 150



#	DN (mm)	Pmax (bar)	D (mm)	d1 (mm)	d10 (mm)	r1 (mm)	k (mm)	Holes (no.)	d2 (mm)	b1 (mm)	Article Number
34	1300	3	1660	1412	1402	10	1537	44	48	74	BR-1300-1412-03/150
35	1300	6	1660	1412	1402	10	1537	44	48	105	BR-1300-1412-06/150
36	1300	10	1660	1412	1402	10	1537	44	48	136	BR-1300-1412-10/150
37	1300	16	1660	1412	1402	10	1537	44	48	165	BR-1300-1412-16/150
38	1400	3	1780	1516	1508	11	1651	48	48	60	BR-1400-1516-03/150
39	1400	6	1780	1516	1508	11	1651	48	48	90	BR-1400-1516-06/150
40	1400	10	1780	1516	1508	11	1651	48	48	105	BR-1400-1516-10/150
41	1400	16	1780	1516	1508	11	1651	48	48	178	BR-1400-1516-16/150
42	1500	3	1890	1624	1614	12	1759	52	48	80	BR-1500-1624-03/150
43	1500	6	1890	1624	1614	12	1759	52	48	115	BR-1500-1624-06/150
44	1500	10	1890	1624	1614	12	1759	52	48	145	BR-1500-1624-10/150
45	1500	16	1890	1624	1614	12	1759	52	48	186	BR-1500-1624-16/150

Disclaimer

Whilst every care is taken to ensure that the information on this website is complete and accurate, the Rotec Composite Group BV cannot accept responsibility for any omissions or inaccuracies or for any consequences arising therefrom. By using this website, the user accepts the terms of this disclaimer.

12-04-2024