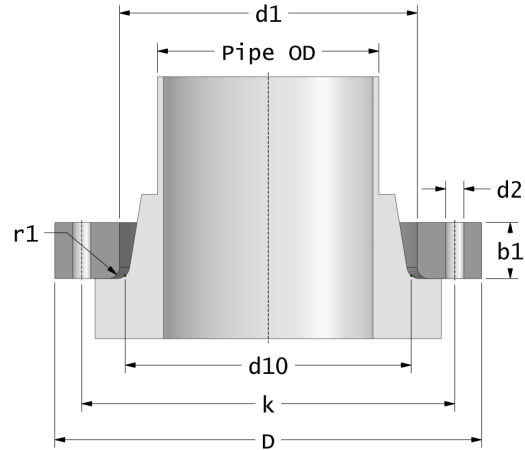


# Anillos de recubrimiento FRP

Adecuado para brida de collar de PVC

Drilling Standard: EN1092 PN10



#	DN (mm)	Pmax (bar)	Pipe OD (mm)	D (mm)	d1 (mm)	d10 (mm)	r1 (mm)	k (mm)	Holes (no.)	d2 (mm)	b1 (mm)	Resin Type	Product Color	Article Number
1	10	16	16	98	23	22	3	60	4	14	15	Polyester	Grey	BRPVC-10-23-16/16
2	15	16	20	98	28	27	3	65	4	14	15	Polyester	Grey	BRPVC-15-28-16/16
3	20	16	25	116	34	33	3	75	4	14	15	Polyester	Grey	BRPVC-20-34-16/16
4	25	16	32	116	42	41	3	85	4	14	15	Polyester	Grey	BRPVC-25-42-16/16
5	32	16	40	140	51	50	3	100	4	18	16	Polyester	Grey	BRPVC-32-51-16/16
6	40	16	50	154	62	61	3	110	4	18	18	Polyester	Grey	BRPVC-40-62-16/16
7	50	16	63	164	78	76	3	125	4	18	18	Polyester	Grey	BRPVC-50-78-16/16
8	65	10	75	184	92	90	3	145	4	18	18	Polyester	Grey	BRPVC-65-92-10/16
9	80	6	90	200	110	108	3	160	8	18	18	Polyester	Grey	BRPVC-80-110-06/16
10	80	10	90	200	110	108	3	160	8	18	23	Polyester	Grey	BRPVC-80-110-10/16
11	100	6	110	228	134	132	3	180	8	18	20	Polyester	Grey	BRPVC-100-134-06/16
12	100	10	110	228	134	132	3	180	8	18	25	Polyester	Grey	BRPVC-100-134-10/16
13	110	6	125	240	150	148	3	190	8	18	20	Polyester	Grey	BRPVC-110-150-06/16
14	110	10	125	240	150	148	3	190	8	18	25	Polyester	Grey	BRPVC-110-150-10/16
15	125	6	125	254	150	148	3	210	8	18	22	Polyester	Grey	BRPVC-125-150-06/16
16	125	6	140	254	167	165	3	210	8	18	22	Polyester	Grey	BRPVC-125-167-06/16
17	125	10	125	254	150	148	3	210	8	18	28	Polyester	Grey	BRPVC-125-150-10/16
18	125	10	140	254	167	165	3	210	8	18	28	Polyester	Grey	BRPVC-125-167-10/16
19	150	6	160	284	190	188	3	240	8	22	25	Polyester	Grey	BRPVC-150-190-06/16
20	150	10	160	284	190	188	3	240	8	22	32	Polyester	Grey	BRPVC-150-190-10/16
21	175	4	200	315	226	224	3	270	8	22	25	Polyester	Grey	BRPVC-175-226-04/10

## Disclaimer

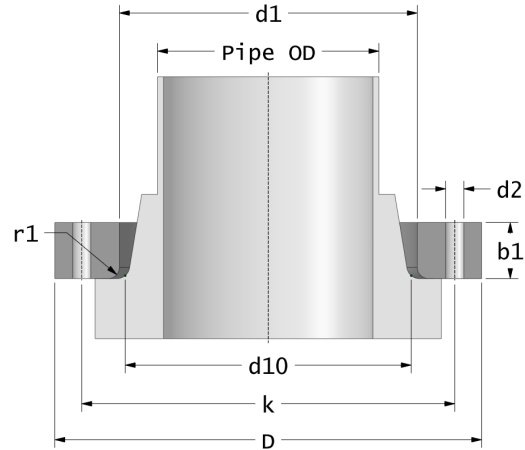
Whilst every care is taken to ensure that the information on this website is complete and accurate, the Rotec Composite Group BV cannot accept responsibility for any omissions or inaccuracies or for any consequences arising therefrom. By using this website, the user accepts the terms of this disclaimer.

04-03-2025

# Anillos de recubrimiento FRP

Adecuado para brida de collar de PVC

Drilling Standard: EN1092 PN10



#	DN (mm)	Pmax (bar)	Pipe OD (mm)	D (mm)	d1 (mm)	d10 (mm)	r1 (mm)	k (mm)	Holes (no.)	d2 (mm)	b1 (mm)	Resin Type	Product Color	Article Number
22	175	10	200	315	226	224	3	270	8	22	38	Polyester	Grey	BRPVC-175-226-10/10
23	200	4	200	342	226	224	3	295	8	22	26	Polyester	Grey	BRPVC-200-226-04/10
24	200	4	200	342	235	232	3	295	8	22	26	Polyester	Grey	BRPVC-200-235-04/10
25	200	4	225	342	252	248	3	295	8	22	26	Polyester	Grey	BRPVC-200-252-04/10
26	200	10	200	342	226	224	3	295	8	22	38	Polyester	Grey	BRPVC-200-226-10/10
27	200	10	200	342	235	232	3	295	8	22	38	Polyester	Grey	BRPVC-200-235-10/10
28	200	10	225	342	252	248	3	295	8	22	38	Polyester	Grey	BRPVC-200-252-10/10
29	225	4	250	370	277	273	3	325	8	22	28	Polyester	Grey	BRPVC-225-277-04/10
30	225	10	250	370	277	273	3	325	8	22	42	Polyester	Grey	BRPVC-225-277-10/10
31	250	4	250	405	277	273	3	350	12	22	28	Polyester	Grey	BRPVC-250-277-04/10
32	250	4	280	405	310	306	3	350	12	22	28	Polyester	Grey	BRPVC-250-310-04/10
33	250	10	250	405	277	273	3	350	12	22	42	Polyester	Grey	BRPVC-250-277-10/10
34	250	10	280	405	310	306	3	350	12	22	42	Polyester	Grey	BRPVC-250-310-10/10
35	300	4	315	458	350	347	3	400	12	22	32	Polyester	Grey	BRPVC-300-350-04/10
36	300	10	315	458	350	347	3	400	12	22	48	Polyester	Grey	BRPVC-300-350-10/10
37	350	4	355	510	388	384	6	460	16	22	30	Vinylester	Grey	BRPVC-350-388-04/10
38	350	10	355	510	388	384	6	460	16	22	42	Vinylester	Grey	BRPVC-350-388-10/10
39	400	4	400	570	442	438	6	515	16	26	32	Vinylester	Grey	BRPVC-400-442-04/10
40	400	10	400	570	442	438	6	515	16	26	44	Vinylester	Grey	BRPVC-400-442-10/10

## Disclaimer

Whilst every care is taken to ensure that the information on this website is complete and accurate, the Rotec Composite Group BV cannot accept responsibility for any omissions or inaccuracies or for any consequences arising therefrom. By using this website, the user accepts the terms of this disclaimer.