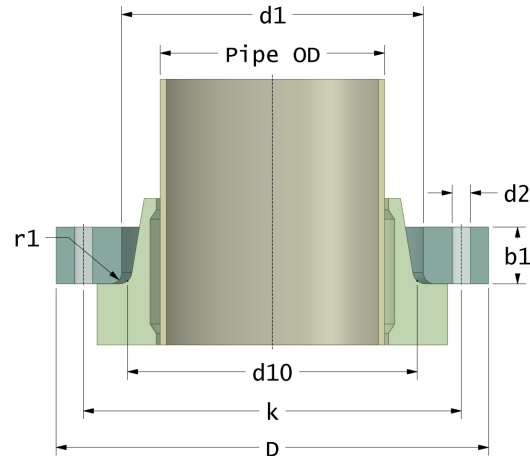
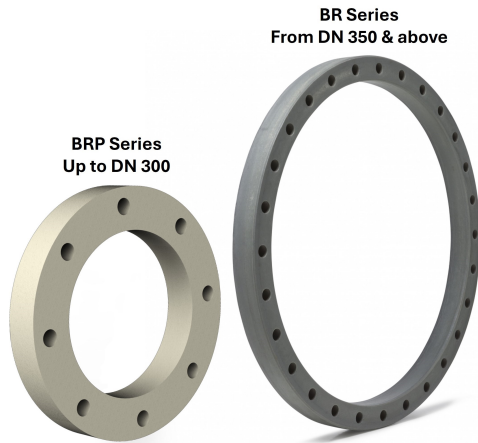


# Anillos de recubrimiento FRP

Adecuado para brida de collar GRP Rotec

Drilling Standard: JIS B2220 5K



#	DN (mm)	Pmax (bar)	D (mm)	d1 (mm)	d10 (mm)	r1 (mm)	k (mm)	Holes (no.)	d2 (mm)	b1 (mm)	Resin Type	Product Color	Article Number
1	700	3	875	750	746	8	820	24	27	36	Vinylester	Grey	BR-700-750-03/5K
2	700	6	875	750	746	8	820	24	27	42	Vinylester	Grey	BR-700-750-06/5K
3	800	3	995	856	852	9	930	24	33	38	Vinylester	Grey	BR-800-856-03/5K
4	800	6	995	856	852	9	930	24	33	46	Vinylester	Grey	BR-800-856-06/5K
5	900	3	1090	955	951	9	1030	24	33	42	Vinylester	Grey	BR-900-955-03/5K
6	900	6	1090	955	951	9	1030	24	33	54	Vinylester	Grey	BR-900-955-06/5K
7	1000	3	1200	1058	1054	10	1130	28	33	46	Vinylester	Grey	BR-1000-1058-03/5K
8	1000	6	1200	1058	1054	10	1130	28	33	62	Vinylester	Grey	BR-1000-1058-06/5K
9	1100	3	1355	1152	1142	8	1240	28	33	84	Vinylester	Grey	BR-1100-1152-06/5K
10	1100	6	1355	1152	1142	8	1240	28	33	84	Vinylester	Grey	BR-1100-1152-06/5K
11	1200	3	1430	1266	1260	10	1350	32	33	50	Vinylester	Grey	BR-1200-1266-03/5K
12	1200	6	1430	1266	1260	10	1350	32	33	70	Vinylester	Grey	BR-1200-1266-06/5K

## Disclaimer

Whilst every care is taken to ensure that the information on this website is complete and accurate, the Rotec Composite Group BV cannot accept responsibility for any omissions or inaccuracies or for any consequences arising therefrom. By using this website, the user accepts the terms of this disclaimer.