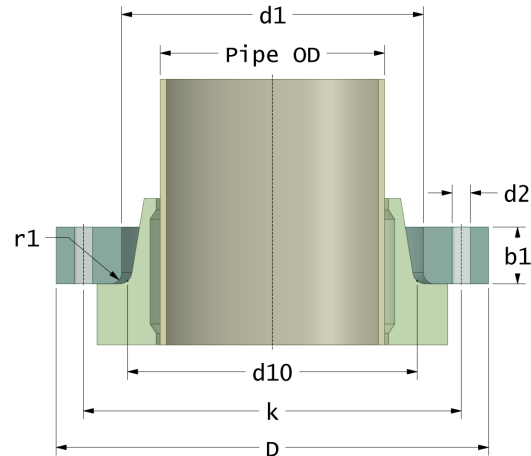


Rotec Anillos de recubrimiento FRP

Adecuado para brida de collar GRP Rotec

Drilling Standard: ANSI B16.5 Class 300



#	DN (mm)	Pmax (bar)	D (mm)	d1 (mm)	d10 (mm)	r1 (mm)	k (mm)	Holes (no.)	d2 (mm)	b1 (mm)	Article Number
1	150	16	325	193	190	6	270	12	22	38	BR-150-193-16/300
2	150	20	325	193	190	6	270	12	22	43	BR-150-193-20/300
3	150	25	325	193	190	6	270	12	22	46	BR-150-193-25/300
4	200	16	380	250	246	6	330	12	25	40	BR-200-250-16/300
5	200	20	380	250	246	6	330	12	25	45	BR-200-250-20/300
6	200	25	380	250	246	6	330	12	25	48	BR-200-250-25/300
7	250	16	450	304	300	6	387	16	29	42	BR-250-304-16/300
8	250	20	450	304	300	6	387	16	29	45	BR-250-304-20/300
9	250	25	450	304	300	6	387	16	29	48	BR-250-304-25/300
10	300	16	540	364	358	7	451	16	32	47	BR-300-364-16/300
11	300	20	540	364	358	7	451	16	32	52	BR-300-364-20/300
12	300	25	540	364	358	7	451	16	32	57	BR-300-364-25/300
13	350	16	585	414	408	8	514	20	32	55	BR-350-414-16/300
14	350	20	585	414	408	8	514	20	32	56	BR-350-414-20/300
15	350	25	585	422	416	9	514	20	32	62	BR-350-422-25/300
16	400	16	660	478	472	10	572	20	35	58	BR-400-478-16/300

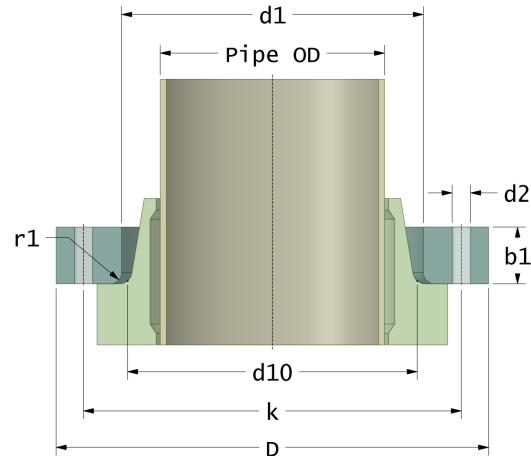
Disclaimer

Whilst every care is taken to ensure that the information on this website is complete and accurate, the Rotec Composite Group BV cannot accept responsibility for any omissions or inaccuracies or for any consequences arising therefrom. By using this website, the user accepts the terms of this disclaimer.

Rotec Anillos de recubrimiento FRP

Adecuado para brida de collar GRP Rotec

Drilling Standard: ANSI B16.5 Class 300



#	DN (mm)	Pmax (bar)	D (mm)	d1 (mm)	d10 (mm)	r1 (mm)	k (mm)	Holes (no.)	d2 (mm)	b1 (mm)	Article Number
17	400	20	660	478	472	10	572	20	35	65	BR-400-478-20/300
18	400	25	660	478	472	10	572	20	35	73	BR-400-478-25/300
19	450	16	710	533	527	9	629	24	35	67	BR-450-533-16/300
20	450	20	710	533	527	9	629	24	35	69	BR-450-533-20/300
21	450	25	710	533	527	9	629	24	35	75	BR-450-533-25/300
22	500	16	775	590	584	10	686	24	35	72	BR-500-590-16/300
23	500	20	775	590	584	10	686	24	35	77	BR-500-590-20/300
24	500	25	775	590	584	10	686	24	35	88	BR-500-590-25/300
25	630	16	915	702	696	10	813	24	41	78	BR-630-702-16/300
26	630	20	915	702	696	10	813	24	41	89	BR-630-702-20/300
27	630	25	915	702	696	10	813	24	41	97	BR-630-702-25/300

Disclaimer

Whilst every care is taken to ensure that the information on this website is complete and accurate, the Rotec Composite Group BV cannot accept responsibility for any omissions or inaccuracies or for any consequences arising therefrom. By using this website, the user accepts the terms of this disclaimer.

12-04-2024