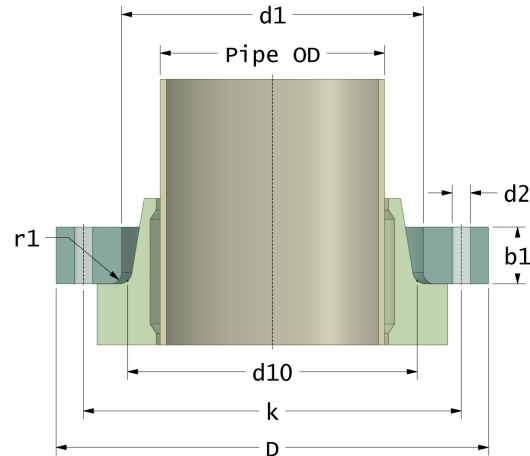


## Rotec Anillos de refuerzo

Adecuado para brida de collar GRP Rotec

Drilling Standard: JIS B2220 20K



#	DN (mm)	Pmax (bar)	D (mm)	d1 (mm)	d10 (mm)	r1 (mm)	k (mm)	Holes (no.)	d2 (mm)	b1 (mm)	Article Number
1	150	20	305	193	190	6	260	12	25	43	BR-150-193-20/20K
2	150	25	305	193	190	6	260	12	25	46	BR-150-193-25/20K
3	200	20	380	250	246	6	305	12	25	45	BR-200-250-20/20K
4	200	25	380	250	246	6	305	12	25	48	BR-200-250-25/20K
5	250	20	430	304	300	6	380	12	27	45	BR-250-304-20/20K
6	250	25	430	304	300	6	380	12	27	48	BR-250-304-25/20K
7	300	20	490	359	353	6	430	16	27	52	BR-300-359-20/20K
8	300	25	490	359	353	6	430	16	27	57	BR-300-359-25/20K
9	350	20	540	414	408	8	480	16	33	56	BR-350-414-20/20K
10	350	25	540	414	408	8	480	16	33	62	BR-350-414-25/20K
11	400	20	600	469	463	9	540	16	33	65	BR-400-469-20/20K
12	450	20	710	533	527	9	605	20	33	69	BR-450-533-20/20K
13	450	25	710	533	527	9	605	20	33	75	BR-450-533-25/20K
14	500	20	735	577	571	9	660	20	33	77	BR-500-577-20/20K
15	500	25	735	577	571	9	660	20	33	88	BR-500-577-25/20K
16	630	20	850	687	681	9	770	24	39	89	BR-630-687-20/20K

### Disclaimer

Whilst every care is taken to ensure that the information on this website is complete and accurate, the Rotec Composite Group BV cannot accept responsibility for any omissions or inaccuracies or for any consequences arising therefrom. By using this website, the user accepts the terms of this disclaimer.

## Rotec Anillos de refuerzo

Adecuado para brida de collar GRP Rotec

Drilling Standard: JIS B2220 20K



#	DN (mm)	Pmax (bar)	D (mm)	d1 (mm)	d10 (mm)	r1 (mm)	k (mm)	Holes (no.)	d2 (mm)	b1 (mm)	Article Number
17	700	20	1035	783	775	10	900	24	48	105	BR-700-783-20/20K
18	700	25	1035	783	775	10	900	24	48	113	BR-700-783-25/20K
19	800	20	1150	892	884	11	1030	24	56	115	BR-800-892-20/20K
20	800	25	1150	892	884	11	1030	24	56	130	BR-800-892-25/20K
21	900	20	1270	1003	995	11	1140	28	56	126	BR-900-1003-20/20K
22	900	25	1270	1003	995	11	1140	28	56	143	BR-900-1003-25/20K

### Disclaimer

Whilst every care is taken to ensure that the information on this website is complete and accurate, the Rotec Composite Group BV cannot accept responsibility for any omissions or inaccuracies or for any consequences arising therefrom. By using this website, the user accepts the terms of this disclaimer.

12-04-2024