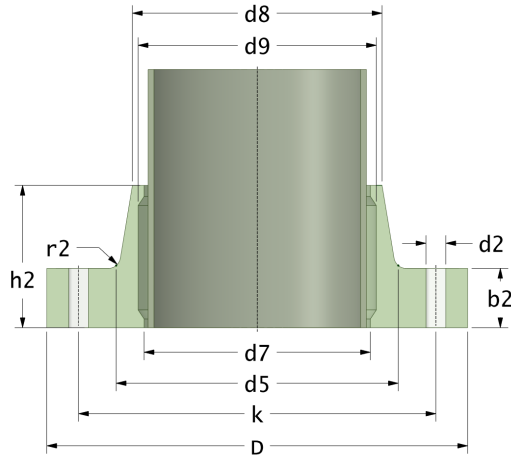


## Fixed Flanges

Adhesive bonded Fixed Flange (Flat Face) for GRP pipe

Drilling Standard: EN1092 PN6



#	DN (mm)	Pmax (bar)	D (mm)	d7 (mm)	d9 (mm)	d8 (mm)	d5 (mm)	r2 (mm)	k (mm)	Holes (no.)	d2 (mm)	h2 (mm)	b2 (mm)	Article Number
1	250	6	395	274	278	284	293	5	335	12	18	89	29	FF-250-06/06
2	300	6	445	326	330	336	342	5	395	12	22	97	32	FF-300-06/06
3	350	6	505	378	382	388	398	6	445	12	22	105	35	FF-350-06/06
4	400	6	565	429	433	439	451	6	495	16	22	113	38	FF-400-06/06
5	450	6	615	480	484	491	503	6	550	16	22	121	41	FF-450-06/06
6	500	6	670	532	536	543	556	6	600	20	22	129	44	FF-500-06/06
7	600	6	755	618	622	629	646	7	705	20	26	145	50	FF-600-06/06
8	700	3	875	721	725	733	756	7	810	24	26	135	36	FF-700-03/06
9	700	6	875	721	725	733	756	7	810	24	26	149	50	FF-700-06/06
10	800	3	995	823	827	835	861	7	920	24	30	151	38	FF-800-03/06
11	800	6	995	823	827	835	861	7	920	24	30	165	52	FF-800-06/06
12	900	3	1090	926	930	939	967	7	1020	24	30	166	40	FF-900-03/06
13	900	6	1090	926	930	939	967	7	1020	24	30	182	56	FF-900-06/06
14	1000	3	1200	1028	1032	1044	1070	7	1120	28	30	178	45	FF-1000-03/06
15	1000	6	1200	1028	1032	1044	1070	7	1120	28	30	193	60	FF-1000-06/06
16	1200	3	1440	1232	1236	1250	1278	8	1340	32	33	190	55	FF-1200-03/06

### Disclaimer

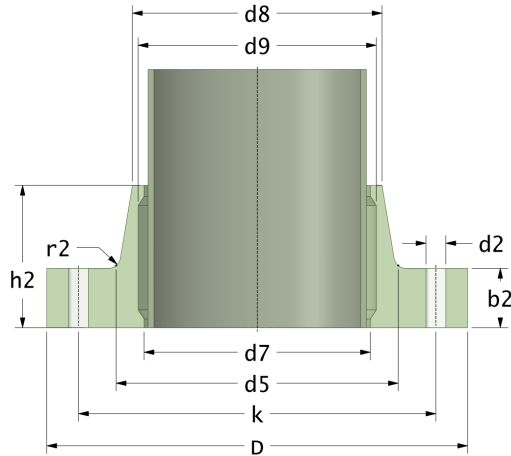
Whilst every care is taken to ensure that the information on this website is complete and accurate, the Rotec Composite Group BV cannot accept responsibility for any omissions or inaccuracies or for any consequences arising therefrom. By using this website, the user accepts the terms of this disclaimer.

17-11-2022

## Fixed Flanges

Adhesive bonded Fixed Flange (Flat Face) for GRP pipe

Drilling Standard: EN1092 PN6



#	DN (mm)	Pmax (bar)	D (mm)	d7 (mm)	d9 (mm)	d8 (mm)	d5 (mm)	r2 (mm)	k (mm)	Holes (no.)	d2 (mm)	h2 (mm)	b2 (mm)	Article Number
17	1200	6	1440	1232	1236	1250	1278	8	1340	32	33	204	69	FF-1200-06/06
18	1400	3	1650	1436	1440	1455	1486	8	1560	36	36	205	60	FF-1400-03/06
19	1400	6	1650	1436	1440	1455	1486	8	1560	36	36	223	78	FF-1400-06/06
20	1600	3	1850	1642	1646	1662	1696	8	1760	40	36	215	70	FF-1600-03/06
21	1600	6	1850	1642	1646	1662	1696	8	1760	40	36	232	87	FF-1600-06/06
22	1800	3	2060	1846	1850	1866	1916	10	1970	44	39	235	75	FF-1800-03/06
23	1800	6	2060	1846	1850	1866	1916	10	1970	44	39	253	93	FF-1800-06/06
24	2000	3	2280	2049	2053	2072	2114	10	2180	48	42	306	76	FF-2000-03/06
25	2000	6	2280	2049	2053	2072	2114	10	2180	48	42	335	105	FF-2000-06/06
26	2200	3	2500	2253	2257	2276	2300	18	2390	52	42	312	82	FF-2200-03/06
27	2200	6	2500	2253	2257	2276	2300	18	2390	52	42	344	114	FF-2200-06/06
28	2400	3	2710	2457	2461	2480	2510	18	2600	56	42	338	88	FF-2400-03/06
29	2400	6	2710	2457	2461	2480	2510	18	2600	56	42	373	123	FF-2400-06/06

### Disclaimer

Whilst every care is taken to ensure that the information on this website is complete and accurate, the Rotec Composite Group BV cannot accept responsibility for any omissions or inaccuracies or for any consequences arising therefrom. By using this website, the user accepts the terms of this disclaimer.

17-11-2022