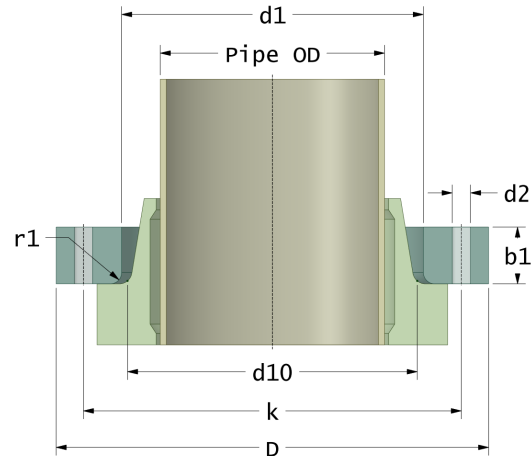


# Rotec FRP Backing Rings

suitable for GRP Stub flange Rotec

Drilling Standard: ANSI B16.5 Class 150



#	DN (mm)	Pmax (bar)	D (mm)	d1 (mm)	d10 (mm)	r1 (mm)	k (mm)	Holes (no.)	d2 (mm)	b1 (mm)	Article Number
1	150	10	285	189	186	5	241	8	22	30	BR-150-189-10/150
2	150	16	285	189	186	5	241	8	22	38	BR-150-189-16/150
3	200	10	350	238	237	5	299	8	22	32	BR-200-238-10/150
4	200	10	350	235	-	5	299	8	22	32	BR-200-235-10/150
5	200	16	350	238	237	5	299	8	22	40	BR-200-238-16/150
6	200	16	350	235	-	5	299	8	22	40	BR-200-235-16/150
7	250	10	410	294	293	5	362	12	25	34	BR-250-294-10/150
8	250	10	410	288	-	5	362	12	25	35	BR-250-288-10/150
9	250	16	410	294	293	5	362	12	25	42	BR-250-294-16/150
10	250	16	410	288	-	5	362	12	25	45	BR-250-288-16/150
11	300	10	490	359	353	6	432	12	25	37	BR-300-359-10/150
12	300	10	490	338	-	5	432	12	25	39	BR-300-338-10/150
13	300	16	490	359	353	6	432	12	25	47	BR-300-359-16/150
14	300	16	490	338	-	5	432	12	25	46	BR-300-338-16/150
15	350	10	540	402	400	6	476	12	29	42	BR-350-402-10/150
16	350	10	540	376	-	6	476	12	29	42	BR-350-376-10/150

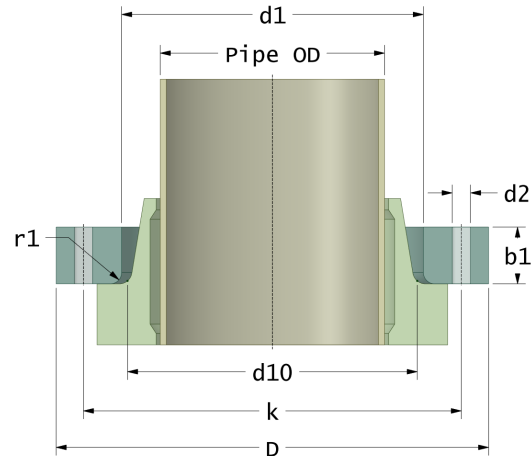
## Disclaimer

Whilst every care is taken to ensure that the information on this website is complete and accurate, the Rotec Composite Group BV cannot accept responsibility for any omissions or inaccuracies or for any consequences arising therefrom. By using this website, the user accepts the terms of this disclaimer.

# Rotec FRP Backing Rings

suitable for GRP Stub flange Rotec

Drilling Standard: ANSI B16.5 Class 150



#	DN (mm)	Pmax (bar)	D (mm)	d1 (mm)	d10 (mm)	r1 (mm)	k (mm)	Holes (no.)	d2 (mm)	b1 (mm)	Article Number
17	350	16	540	402	400	6	476	12	29	53	BR-350-402-16/150
18	350	16	540	376	-	6	476	12	29	52	BR-350-376-16/150
19	400	10	600	455	453	6	540	16	29	47	BR-400-455-10/150
20	400	10	600	430	-	6	540	16	29	44	BR-400-430-10/150
21	400	16	600	455	453	6	540	16	29	58	BR-400-455-16/150
22	400	16	600	430	-	6	540	16	29	54	BR-400-430-16/150
23	450	10	644	508	506	6	578	16	32	53	BR-450-508-10/150
24	450	10	644	465	-	6	578	16	32	54	BR-450-465-10/150
25	450	10	644	517	-	6	578	16	32	54	BR-450-517-10/150
26	450	16	644	508	506	6	578	16	32	67	BR-450-508-16/150
27	450	16	644	465	-	6	578	16	32	66	BR-450-465-16/150
28	450	16	644	517	-	6	578	16	32	66	BR-450-517-16/150
29	500	3	720	565	558	8	635	20	32	35	BR-500-565-03/150
30	500	10	720	565	558	8	635	20	32	57	BR-500-565-10/150
31	500	10	720	533	-	6	635	20	32	57	BR-500-533-10/150
32	500	16	720	565	558	8	635	20	32	72	BR-500-565-16/150
33	500	16	720	533	-	6	635	20	32	72	BR-500-533-16/150

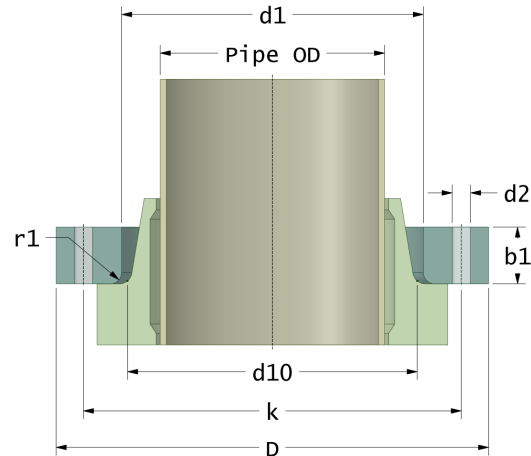
## Disclaimer

Whilst every care is taken to ensure that the information on this website is complete and accurate, the Rotec Composite Group BV cannot accept responsibility for any omissions or inaccuracies or for any consequences arising therefrom. By using this website, the user accepts the terms of this disclaimer.

# Rotec FRP Backing Rings

suitable for GRP Stub flange Rotec

Drilling Standard: ANSI B16.5 Class 150



#	DN (mm)	Pmax (bar)	D (mm)	d1 (mm)	d10 (mm)	r1 (mm)	k (mm)	Holes (no.)	d2 (mm)	b1 (mm)	Article Number
34	600	3	844	653	649	9	749	20	35	34	BR-600-653-03/150
35	600	10	844	653	649	9	749	20	35	62	BR-600-653-10/150
36	600	10	844	648	-	7	749	20	35	62	BR-600-648-10/150
37	600	10	844	618	-	7	749	20	35	62	BR-600-618-10/150
38	600	16	844	653	649	9	749	20	35	78	BR-600-653-16/150
39	600	16	844	648	-	7	749	20	35	77	BR-600-648-16/150
40	600	16	844	618	-	7	749	20	35	77	BR-600-618-16/150
41	630	3	844	668	649	8	749	20	35	34	BR-630-668-03/150
42	630	10	844	668	649	8	749	20	35	62	BR-630-668-10/150
43	630	16	844	668	649	8	749	20	35	78	BR-630-668-16/150

## Disclaimer

Whilst every care is taken to ensure that the information on this website is complete and accurate, the Rotec Composite Group BV cannot accept responsibility for any omissions or inaccuracies or for any consequences arising therefrom. By using this website, the user accepts the terms of this disclaimer.