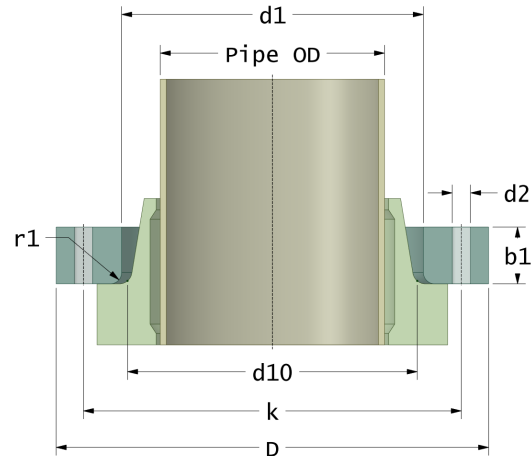


Rotec Backing Rings (Backing Ring for GRP Pipes)

Drilling Standard: EN1092 PN10



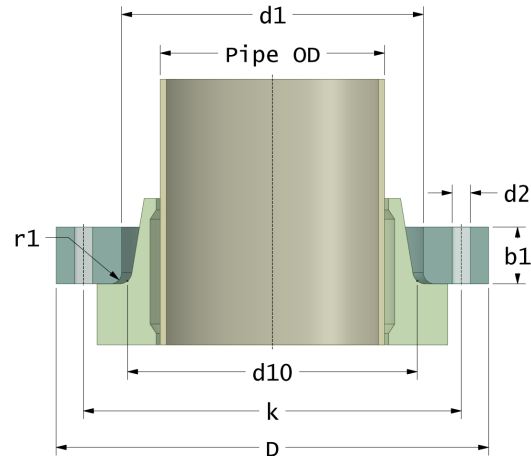
#	DN (mm)	Pmax (bar)	D (mm)	d1 (mm)	d10 (mm)	r1 (mm)	k (mm)	Holes (no.)	d2 (mm)	b1 (mm)	Article Number
1	150	10	285	189	184	5	240	8	22	30	BR-150-189-10/16
2	200	10	340	238	237	5	295	8	22	32	BR-200-238-10/10
3	300	10	445	346	342	5	400	12	22	36	BR-300-346-10/10
4	350	10	505	402	398	6	460	16	22	38	BR-350-402-10/10
5	400	10	565	455	451	6	515	16	26	42	BR-400-455-10/10
6	450	10	640	508	503	6	565	20	26	50	BR-450-508-10/10
7	500	3	670	560	556	6	620	20	26	35	BR-500-560-03/10
8	500	10	670	560	556	6	620	20	26	50	BR-500-560-10/10
9	600	3	780	653	646	7	725	20	30	38	BR-600-653-03/10
10	600	10	780	653	646	7	725	20	30	58	BR-600-653-10/10
11	700	3	910	762	756	7	840	24	30	44	BR-700-762-03/10
12	700	10	910	762	756	7	840	24	30	64	BR-700-762-10/10
13	800	3	1015	867	861	7	950	24	33	45	BR-800-867-03/10
14	800	10	1015	867	861	7	950	24	33	70	BR-800-867-10/10
15	900	3	1115	973	967	7	1050	28	33	45	BR-900-973-03/10
16	900	6	1115	973	967	7	1050	28	33	65	BR-900-973-06/10

Disclaimer

Whilst every care is taken to ensure that the information on this website is complete and accurate, the Rotec Composite Group BV cannot accept responsibility for any omissions or inaccuracies or for any consequences arising therefrom. By using this website, the user accepts the terms of this disclaimer.

Rotec Backing Rings (Backing Ring for GRP Pipes)

Drilling Standard: EN1092 PN10



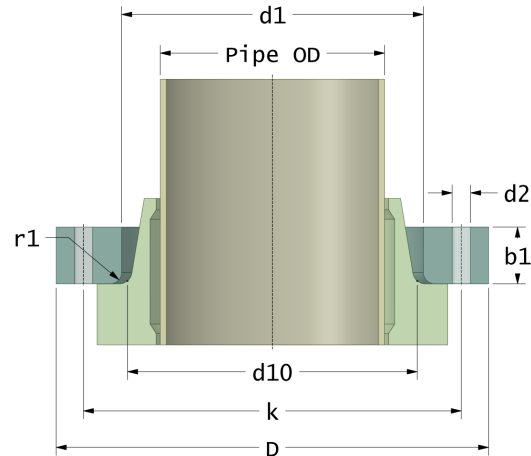
#	DN (mm)	Pmax (bar)	D (mm)	d1 (mm)	d10 (mm)	r1 (mm)	k (mm)	Holes (no.)	d2 (mm)	b1 (mm)	Article Number
17	900	10	1115	973	967	7	1050	28	33	82	BR-900-973-10/10
18	1000	3	1230	1076	1070	7	1160	28	36	48	BR-1000-1076-03/10
19	1000	6	1230	1076	1070	7	1160	28	36	70	BR-1000-1076-06/10
20	1000	10	1230	1076	1070	7	1160	28	36	87	BR-1000-1076-10/10
21	1200	3	1484	1284	1278	8	1380	32	39	50	BR-1200-1284-03/10
22	1200	6	1484	1284	1278	8	1380	32	39	75	BR-1200-1284-06/10
23	1200	10	1484	1284	1278	8	1380	32	39	90	BR-1200-1284-10/10
24	1400	3	1685	1492	1486	8	1590	36	42	60	BR-1400-1492-03/10
25	1400	6	1685	1492	1486	8	1590	36	42	90	BR-1400-1492-06/10
26	1400	10	1685	1492	1486	8	1590	36	42	112	BR-1400-1492-10/10
27	1600	3	1930	1704	1696	8	1820	40	48	70	BR-1600-1704-03/10
28	1600	6	1930	1704	1696	8	1820	40	48	90	BR-1600-1704-06/10
29	1600	10	1930	1704	1696	8	1820	40	48	160	BR-1600-1704-10/10
30	2000	3	2360	2126	2114	10	2230	48	48	80	BR-2000-2126-03/10
31	2000	6	2360	2126	2114	10	2230	48	48	110	BR-2000-2126-06/10
32	2000	10	2360	2126	2114	10	2230	48	48	205	BR-2000-2126-10/10
33	2200	3	2580	2338	2325	13	2440	52	56	122	BR-2200-2338-03/10

Disclaimer

Whilst every care is taken to ensure that the information on this website is complete and accurate, the Rotec Composite Group BV cannot accept responsibility for any omissions or inaccuracies or for any consequences arising therefrom. By using this website, the user accepts the terms of this disclaimer.

Rotec Backing Rings (Backing Ring for GRP Pipes)

Drilling Standard: EN1092 PN10



#	DN (mm)	Pmax (bar)	D (mm)	d1 (mm)	d10 (mm)	r1 (mm)	k (mm)	Holes (no.)	d2 (mm)	b1 (mm)	Article Number
34	2200	6	2580	2338	2325	13	2440	52	56	175	BR-2200-2338-06/10
35	2400	3	2780	2522	2510	18	2650	56	56	130	BR-2400-2522-03/10
36	2400	6	2780	2522	2510	18	2650	56	56	184	BR-2400-2522-06/10
37	2400	10	2780	2522	2510	18	2650	56	56	230	BR-2400-2522-10/10

Disclaimer

Whilst every care is taken to ensure that the information on this website is complete and accurate, the Rotec Composite Group BV cannot accept responsibility for any omissions or inaccuracies or for any consequences arising therefrom. By using this website, the user accepts the terms of this disclaimer.

12-04-2024