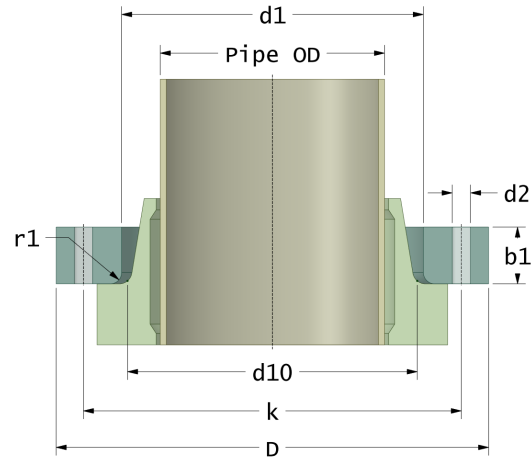


Rotec Backing Rings (Backing Ring by Hot Pressing)

Drilling Standard: ANSI B16.5 Class 150, Pipe Type: GRP



#	DN (mm)	Pmax (bar)	Pipe OD (mm)	D (mm)	d1 (mm)	d10 (mm)	r1 (mm)	k (mm)	Holes (no.)	d2 (mm)	b1 (mm)	Article Number
1	15	16	20	98	34	33	3	60	4	16	15	BRP-15-34-16/150
2	20	16	25	116	40	39	3	70	4	16	15	BRP-20-40-16/150
3	25	16	32	116	42	40	3	79	4	16	15	BRP-25-42-16/150
4	25	16	32	116	51	50	3	79	4	16	15	BRP-25-51-16/150
5	32	16	32	116	42	40	3	89	4	16	16	BRP-32-42-16/150
6	32	16	40	116	51	50	3	89	4	16	16	BRP-32-51-16/150
7	32	16	40	116	55	54	3	89	4	16	16	BRP-32-55-16/150
8	32	16	40	116	59	58	3	89	4	16	16	BRP-32-59-16/150
9	40	16	40	140	51	50	3	98	4	16	18	BRP-40-51-16/150
10	40	16	40	140	55	54	3	98	4	16	18	BRP-40-55-16/150
11	40	16	40	140	59	58	3	98	4	16	16	BRP-40-59-16/150
12	40	16	50	140	62	61	3	98	4	16	18	BRP-40-62-16/150
13	40	16	50	140	69	68	3	98	4	16	16	BRP-40-69-16/150
14	50	16	50	154	62	61	4	121	4	19	18	BRP-50-62-16/150
15	50	16	63	154	73	72	4	121	4	19	18	BRP-50-73-16/150
16	50	16	63	154	83	82	4	121	4	19	18	BRP-50-83-16/150

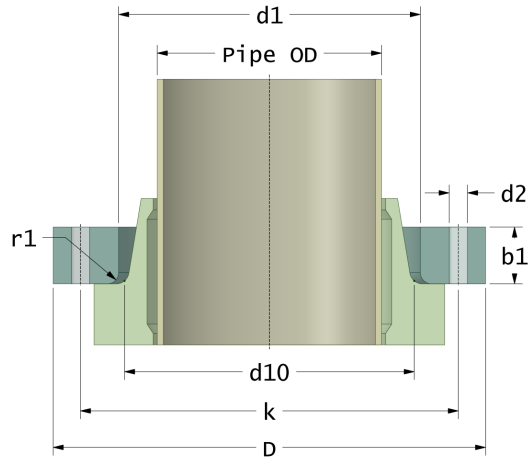
Disclaimer

Whilst every care is taken to ensure that the information on this website is complete and accurate, the Rotec Composite Group BV cannot accept responsibility for any omissions or inaccuracies or for any consequences arising therefrom. By using this website, the user accepts the terms of this disclaimer.

23-08-2024

Rotec Backing Rings (Backing Ring by Hot Pressing)

Drilling Standard: ANSI B16.5 Class 150, Pipe Type: GRP



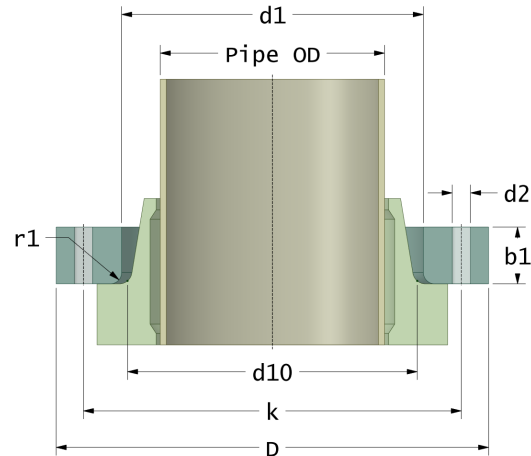
#	DN (mm)	Pmax (bar)	Pipe OD (mm)	D (mm)	d1 (mm)	d10 (mm)	r1 (mm)	k (mm)	Holes (no.)	d2 (mm)	b1 (mm)	Article Number
17	65	16	75	184	96	95	4	140	4	19	20	BRP-65-96-16/150
18	80	10	75	200	97	94	4	152	4	19	23	BRP-80-97-10/150
19	80	16	75	200	97	94	4	152	4	19	28	BRP-80-97-16/150
20	80	10	90	200	112	111	4	152	4	19	23	BRP-80-112-10/150
21	80	16	90	200	112	111	4	152	4	19	28	BRP-80-112-16/150
22	100	10	125	228	134	133	5	190	8	19	25	BRP-100-134-10/150
23	100	16	125	228	134	133	5	190	8	19	30	BRP-100-134-16/150
24	125	10	125	254	134	132	5	216	8	22	28	BRP-125-134-10/150
25	125	16	125	254	134	132	5	216	8	22	34	BRP-125-134-16/150
26	125	10	140	254	161	160	5	216	8	22	28	BRP-125-161-10/150
27	125	16	140	254	161	160	5	216	8	22	34	BRP-125-161-16/150
28	125	10	140	254	167	163	5	216	8	22	28	BRP-125-167-10/150
29	125	16	140	254	167	163	5	216	8	22	34	BRP-125-167-16/150
30	150	10	140	284	167	163	5	241	8	22	34	BRP-150-167-10/150
31	150	16	140	284	167	163	5	241	8	22	40	BRP-150-167-16/150
32	150	10	180	284	189	188	5	241	8	22	34	BRP-150-189-10/150
33	150	16	180	284	189	188	5	241	8	22	40	BRP-150-189-16/150

Disclaimer

Whilst every care is taken to ensure that the information on this website is complete and accurate, the Rotec Composite Group BV cannot accept responsibility for any omissions or inaccuracies or for any consequences arising therefrom. By using this website, the user accepts the terms of this disclaimer.

Rotec Backing Rings (Backing Ring by Hot Pressing)

Drilling Standard: ANSI B16.5 Class 150, Pipe Type: GRP



#	DN (mm)	Pmax (bar)	Pipe OD (mm)	D (mm)	d1 (mm)	d10 (mm)	r1 (mm)	k (mm)	Holes (no.)	d2 (mm)	b1 (mm)	Article Number
34	200	6	225	342	238	237	6	298	8	22	35	BRP-200-238-06/150
35	200	10	225	342	238	237	6	298	8	22	41	BRP-200-238-10/150
36	200	16	225	342	238	237	6	298	8	22	48	BRP-200-238-16/150
37	250	6	280	405	294	293	6	362	12	26	35	BRP-250-294-06/150
38	250	10	280	405	294	293	6	362	12	26	42	BRP-250-294-10/150
39	300	6	315	485	344	343	6	432	12	25	50	BRP-300-344-06/150
40	300	10	315	485	344	343	6	432	12	25	62	BRP-300-344-10/150
41	300	6	315	485	348	347	6	432	12	26	42	BRP-300-348-06/150
42	300	10	315	485	348	347	6	432	12	26	62	BRP-300-348-10/150

Disclaimer

Whilst every care is taken to ensure that the information on this website is complete and accurate, the Rotec Composite Group BV cannot accept responsibility for any omissions or inaccuracies or for any consequences arising therefrom. By using this website, the user accepts the terms of this disclaimer.