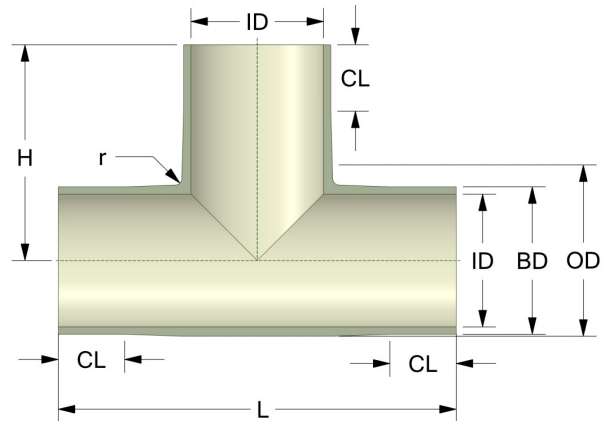
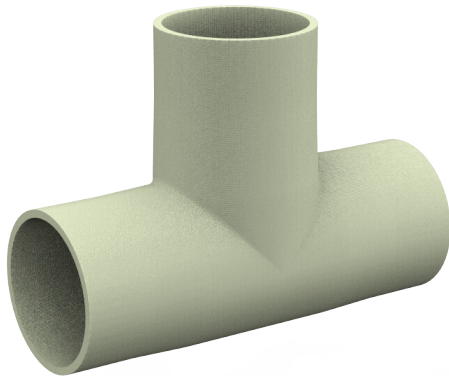


T-Stücke

Derakane 411 (oder gleichwertig)

Resin Type: Derakane 411



#	DN (mm)	Pmax (bar)	ID (mm)	OD (mm)	BD (mm)	r (mm)	CL (mm)	H (mm)	L (mm)	Article Number
1	25	16	25	38	35	6	0	110	220	TMS-25-16/PE
2	32	16	32	46	42	6	0	130	260	TMS-32-16/PE
3	40	16	40	56	50	6	0	150	300	TMS-40-16/PE
4	50	16	50	68	60	6	0	180	360	TMS-50-16/PE
5	65	16	65	87	77	6	0	140	280	TMS-65-16/PE
6	80	16	80	102	92	6	0	165	330	TMS-80-16/PE
7	100	16	100	124	117	8	80	205	410	TMS-100-16/PE
8	125	16	125	150	138	10	80	245	490	TMS-125-16/PE
9	150	16	150	178	166	10	100	285	570	TMS-150-16/PE
10	200	10	200	228	222	10	100	300	600	TMS-200-10/PE
11	250	10	250	284	274	10	120	330	660	TMS-250-10/PE
12	300	10	300	338	326	10	120	375	750	TMS-300-10/PE

Disclaimer

Whilst every care is taken to ensure that the information on this website is complete and accurate, the Rotec Composite Group BV cannot accept responsibility for any omissions or inaccuracies or for any consequences arising therefrom. By using this website, the user accepts the terms of this disclaimer.