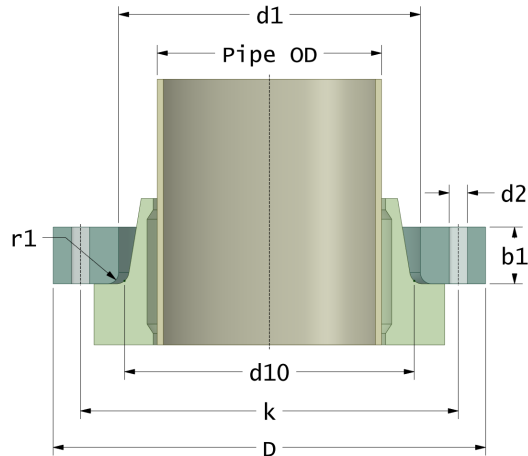


## Rotec FRP Losflansche

geeignet für GFK-Bunde Rotec

Drilling Standard: EN1092 PN40



#	DN (mm)	Pmax (bar)	D (mm)	d1 (mm)	d10 (mm)	r1 (mm)	k (mm)	Holes (no.)	d2 (mm)	b1 (mm)	Article Number
1	150	32	305	193	190	6	250	8	26	50	BR-150-193-32/40
2	200	32	380	250	246	6	320	12	30	52	BR-200-250-32/40
3	250	32	450	304	300	6	385	12	33	55	BR-250-304-32/40
4	300	32	540	364	358	7	450	16	33	60	BR-300-364-32/40
5	350	32	585	422	416	9	510	16	36	70	BR-350-422-32/40
6	400	32	660	478	472	10	585	16	39	74	BR-400-478-32/40

### Disclaimer

Whilst every care is taken to ensure that the information on this website is complete and accurate, the Rotec Composite Group BV cannot accept responsibility for any omissions or inaccuracies or for any consequences arising therefrom. By using this website, the user accepts the terms of this disclaimer.

12-04-2024